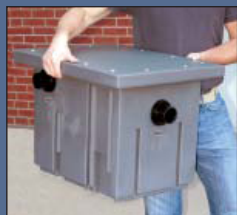


New
Certified
Design

Engineered Thermoplastic Grease Trap

Wet Inlet
10 through 100 GPM



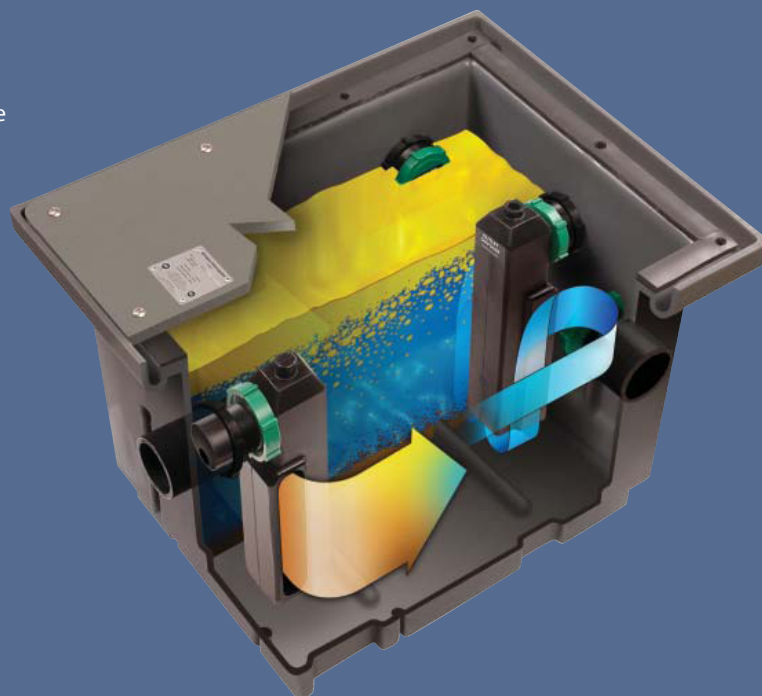
Heavy Duty Polyethylene

- One man installation
- Won't rust out
- Thick kitchen-duty cover
- Structural ribs for above or below grade



Built In Flow Control

- No external flow control needed
- No flow control venting needed
- Reduces installation footprint



Three Outlet Options

- Eases unforeseen piping hassles
- Built in test caps
- Makes ordering easy



Low Maintenance Cost

- Large grease storage
- Large sediment storage
- Designed for quick cleaning

P.E.P.
Specializing in Plastic Engineered Products

Engineered Thermoplastic Grease Trap Wet Inlet

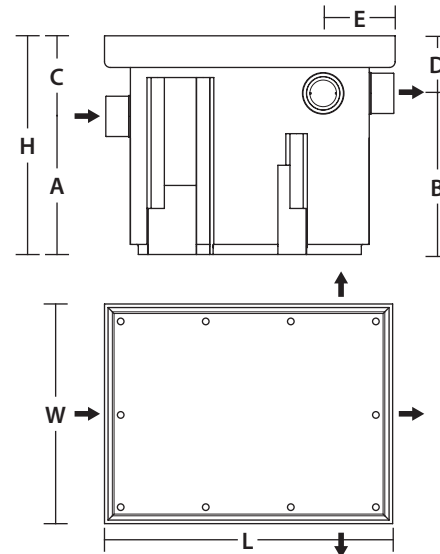
Design Features

- Built in flow control
- Heavy duty polyethylene
- Unique flow pattern
- Three outlet options
- Low annual maintenance cost
- Above or below grade
- Stainless steel cover bolts
- Cover gasket won't rot or flatten

Unique Flow Pattern

P.E.P.'s inlet and outlet diffusers create a unique flow pattern, allowing grease to collect at the surface, sediment to drop, and gray water to pass through. A built in flow control is located inside the inlet diffuser and is easily cleanable. It does not require an external flow control fitting.

The P.E.P. is provided with an internal air relief on the outlet diffuser and does not require venting at the unit wall. All units are sewer gas traps.



SPECIFICATIONS

SCHIER MODEL	G.P.M.	CAPACITY		OUTSIDE DIMENSIONS			PIPE SIZE (NO-HUB)		PIPING DIMENSIONS					Weight in LBS.
		Grease in LBS.	Liquid in GAL.	L	W	H	Standard	Option	A	B	C	D	E	
PATG-1412	10	20	5.3	17 1/2	15 1/4	14	2	3	8 3/8	10 1/4	5 5/8	3 3/4	6	20
PATG-1815	15	60	10	23 1/2	15 1/4	17 1/2	2	3	11	13 1/2	6 1/2	4	6	30
PATG-1820	20	70	17	25 1/2	19 1/4	18 1/4	2	3	12	14 1/4	6 1/4	4	6 1/4	37
PATG-2025	25	98	28	29 3/4	23 1/2	22 1/4	3	2	13	16	9 1/4	6 1/4	6 7/8	54
PATG-2420	30	109	31	29 3/4	23 1/2	22 1/4	3	2	14 1/2	17 7/8	7 3/4	4 3/8	6 7/8	54
PATG-2635	35	120	40	29 3/4	23 1/2	27 1/2	3	4	16 1/2	21	11	6 1/2	6 7/8	63
PATG-2824	40	180	54	31 3/4	26	31 1/2	4	3	21 1/2	25 3/4	10	5 3/4	6 7/8	72
PATG-3050	50	259	60	35 1/4	26	31 1/2	4	3	21 1/2	25 3/4	10	5 3/4	6 7/8	83
PATG-3224	60	288	67	38 3/4	26	31 1/2	4	3	21 1/2	25 3/4	10	5 3/4	6 7/8	95
PATG-3475	75	300	80	39	28 1/2	31 1/2	4	3	22	26 1/4	9 1/2	5 1/4	6 7/8	100
PATG-3628	100	350	110	41 1/4	35 1/2	31 1/2	4	3	22	26 1/4	9 1/2	5 1/4	6 7/8	125

Maintenance clearance height: Allow 8" from top of tank to remove cover and internal parts.

LIST PRICES

SCHIER MODEL	LIST PRICE	-EXT__Extension		Steel Cover		-RFC Reinforcement (for steel cover)
		First 6"	Each 1" After	-SC 1/4"	-SC2 1/2"	
PATG-1412	\$460	\$310	\$32	\$286	\$542	\$70
PATG-1815	588	320	36	316	602	76
PATG-1820	712	332	38	348	660	82
PATG-2025	956	466	46	412	784	88
PATG-2420	996	466	46	412	784	88
PATG-2635	1132	466	46	412	784	88
PATG-2824	1424	586	60	536	1022	112
PATG-3050	1544	626	66	620	1176	124
PATG-3224	1824	664	72	632	1204	140
PATG-3475	1960	708	84	650	1236	154
PATG-3628	2400	750	96	682	1294	176

F.O.B. New Berlin, Wisconsin. Standard models PATG-1412 through PATG-3050 can ship parcel service. All other models will ship LTL carrier.



50 Tannery Rd. Bldg #3
Readington Industrial Center
Branchburg, NJ 08876
1-800-407-3726
<http://www.pep-plastic.com>