

CARBON STEEL /
CARBON STEEL

DRAWN BY: EF

DATE: 9/21/95

REV DATE: 10/11/95

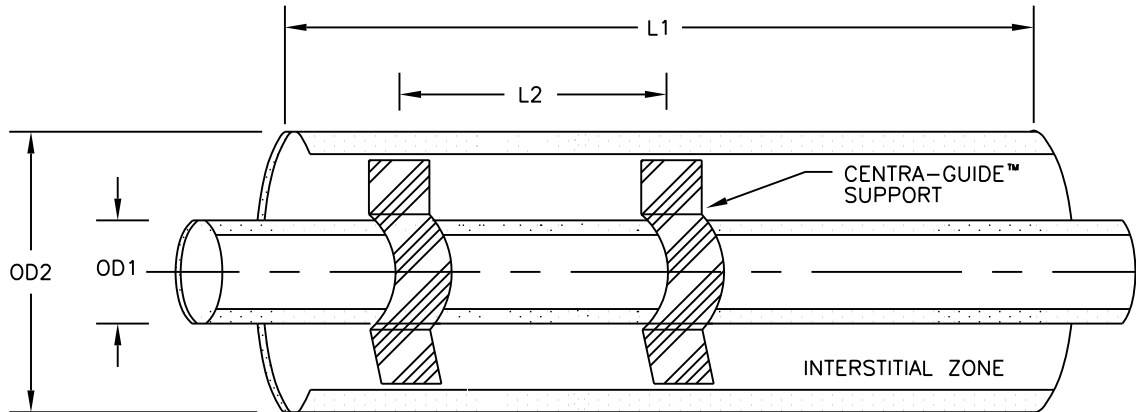
CK'D BY: FM

CK'D BY: DT

DOUBLE CONTAINED
PIPING SYSTEMS

DI0808PI

PIPE



DIMENSIONS

CARRIER/ CONTAINMENT	L1	L2	OD1	OD2
1/2 X 2	20'	5'	.84	2.38
3/4 X 3	20'	5'	1.05	3.50
1 X 3	20'	5'	1.32	3.50
1 1/4 X 4	20'	5'	1.66	4.50
1 1/2 X 4	20'	5'	1.90	4.50
2 X 4	20'	5'	2.38	4.50
3 X 6	20'	5'	3.50	6.62
4 X 8	20'	5'	4.50	8.62
6 X 10	20'	5'	6.62	10.75
8 X 12	20'	5'	8.62	12.75

GENERAL NOTES:

CARRIER - ALL ENDS ARE BEVEL FOR WELD

CONTAINMENT - ALL ENDS ARE PLAIN END

PIPE IS SHIPPED BUNDLED AND ENDS ARE REINFORCED
AND WRAPPED TO PREVENT DAMAGE

ALL DIMENSIONS ARE IN INCHES UNLESS OTHERWISE INDICATED

DOUBLE RANDOM LENGTH P.O.A.

NOTE:

ABOVE FITTING MEETS ASTM SPECIFICATIONS:
CARBON STEEL PIPE - A53B & A106
SCHEDULE 10\20\40\80