

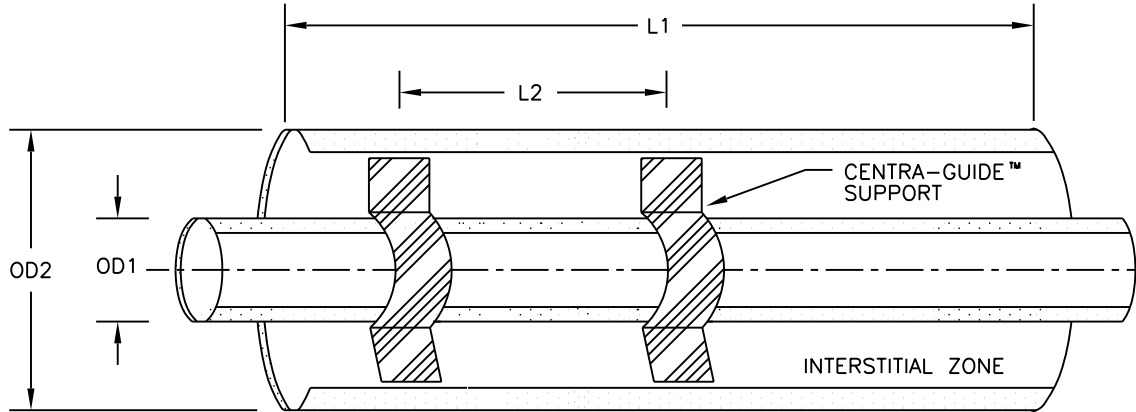
CARBON STEEL \ PVC

DRAWN BY: EF	
DATE: 9/21/95	CK'D BY: FM
REV DATE: 10/18/95	CK'D BY: DT

DOUBLE CONTAINED PIPING SYSTEMS

DI0801PI

PIPE



DIMENSIONS

CARRIER/ CONTAINMENT	L1	L2	OD1	OD2
1/2 X 2	20'	5'	.84	2.38
3/4 X 3	20'	5'	1.05	3.50
1 X 3	20'	5'	1.32	3.50
1 1/4 X 4	20'	5'	1.66	4.50
1 1/2 X 4	20'	5'	1.90	4.50
2 X 4	20'	5'	2.38	4.50
3 X 6	20'	5'	3.50	6.62
4 X 8	20'	5'	4.50	8.62
6 X 10	20'	5'	6.62	10.75
8 X 12	20'	5'	8.62	12.75

GENERAL NOTES:

CARRIER - ALL ENDS ARE BEVEL FOR WELD
 CONTAINMENT - ALL ENDS ARE PLAIN END
 PIPE IS SHIPPED BUNDLED AND ENDS ARE REINFORCED AND WRAPPED TO PREVENT DAMAGE
 ALL DIMENSIONS ARE IN INCHES UNLESS OTHERWISE INDICATED

NOTE:

ABOVE PIPE MEETS ASTM SPECIFICATIONS:
 CARBON STEEL PIPE - A53B & A106
 SCHEDULE 40\80
 PVC PIPE - D1785
 SCHEDULE 40\80