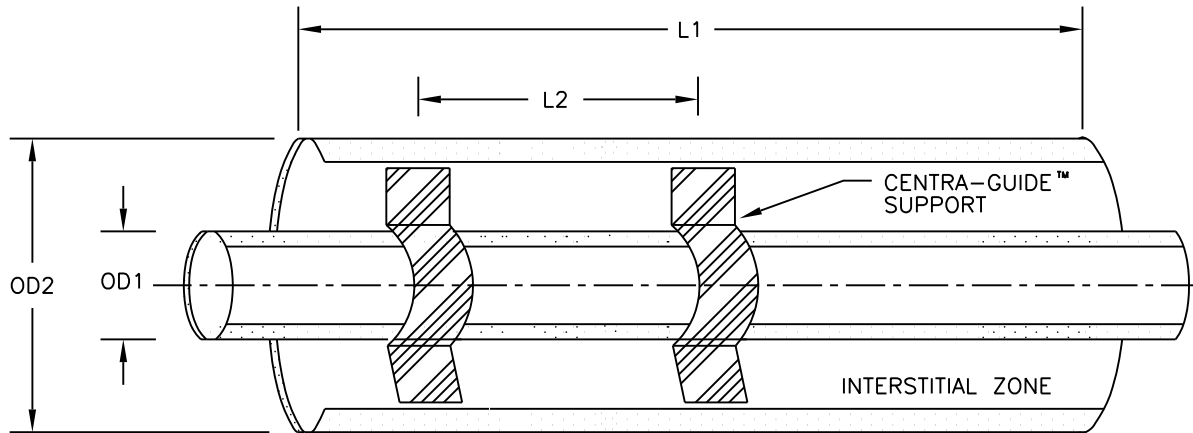


DRAWN BY: EF	
DATE: 4/10/96	CK'D BY: DT
REV DATE:	CK'D BY:

PIPE



**DIMENSIONS**

CARRIER/ CONTAINMENT	L1	L2	OD1	OD2
1 1/2 X 4	20'	5'	1.90	4.50
2 X 4	20'	5'	2.38	4.50
3 X 6	20'	5'	3.50	6.62
4 X 8	20'	5'	4.50	8.62
6 X 10	20'	5'	6.62	10.75
8 X 12	20'	5'	8.62	12.75

**GENERAL NOTES:**

CARRIER - ALL ENDS ARE PLAIN END

CONTAINMENT - ALL ENDS ARE PLAIN END

PIPE IS SHIPPED BUNDLED AND ENDS ARE REINFORCED  
AND WRAPPED TO PREVENT DAMAGE

ALL DIMENSIONS ARE IN INCHES UNLESS OTHERWISE INDICATED