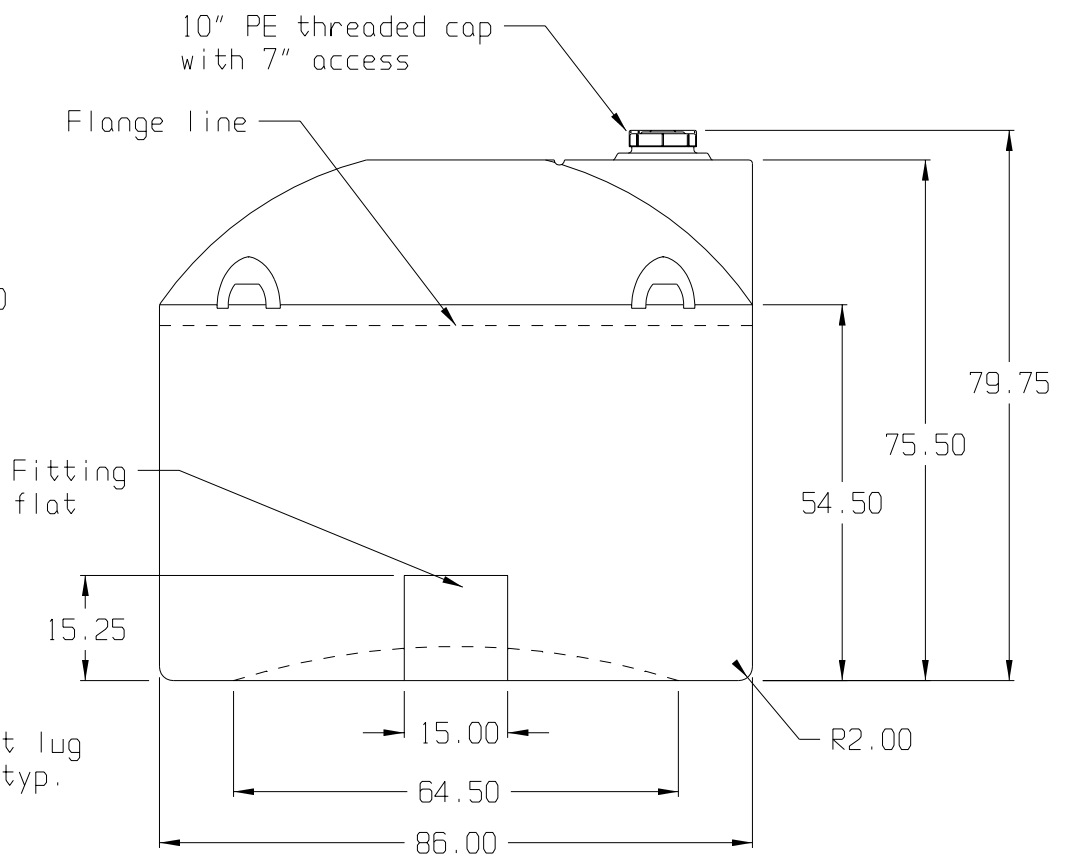


Tiedown support lug  
(4) plcs. 90° typ.



(all dimensions in inches)

BASE FITTINGS TO BE LEFT INSTALLED AT TIME OF SHIPMENT PER Sii PROCEDURE

PART # TANK: 178--L

1,650 GALLON DOME BOTTOM TANK

REF#: 0000

06/26/02