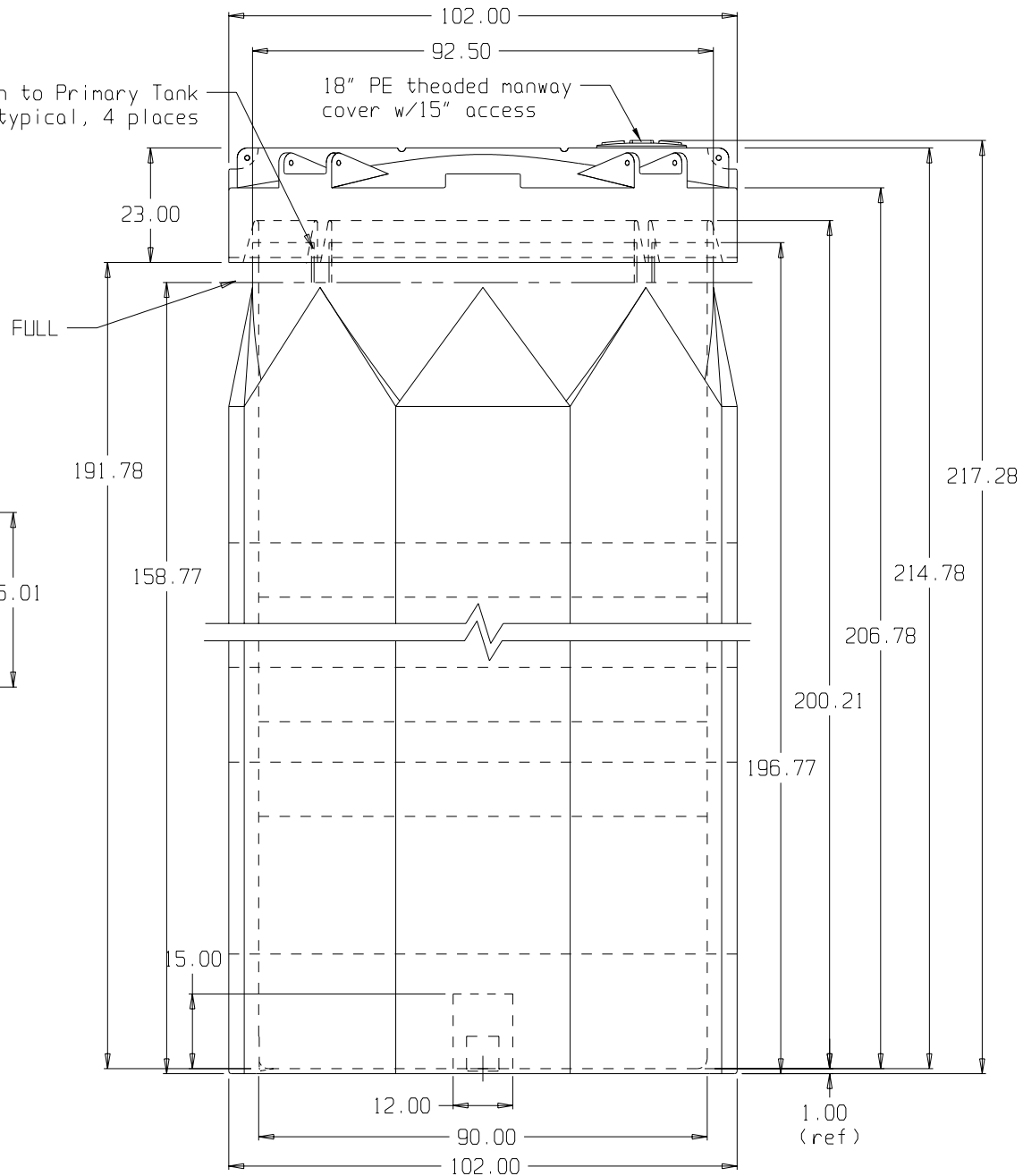


Notch to Primary Tank
90° typical, 4 places

18" PE threaded manway
cover w/15" access



(all dimensions in inches)

PART # PRIMARY: 5630--

CONTAINMENT: 5560--

REF#: 0000

10/31/02

BASE FITTINGS TO BE LEFT INSTALLED AT TIME OF SHIPMENT PER Sii PROCEDURE

5,000 GALLON CAPTOR CONTAINMENT SYSTEM