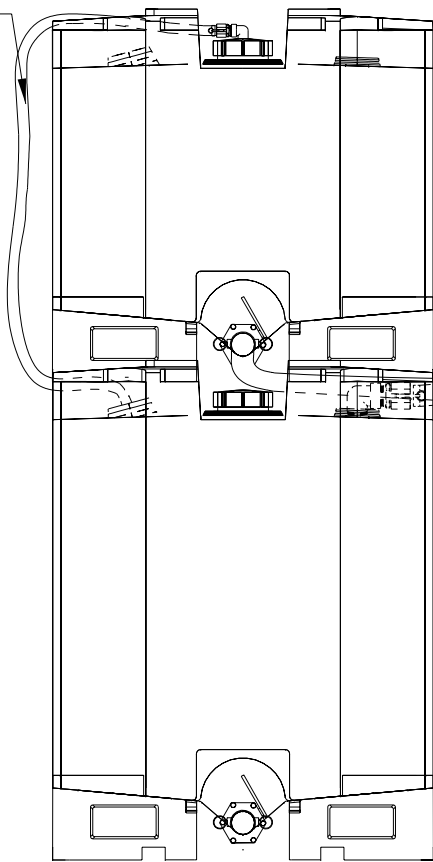


NOTES!

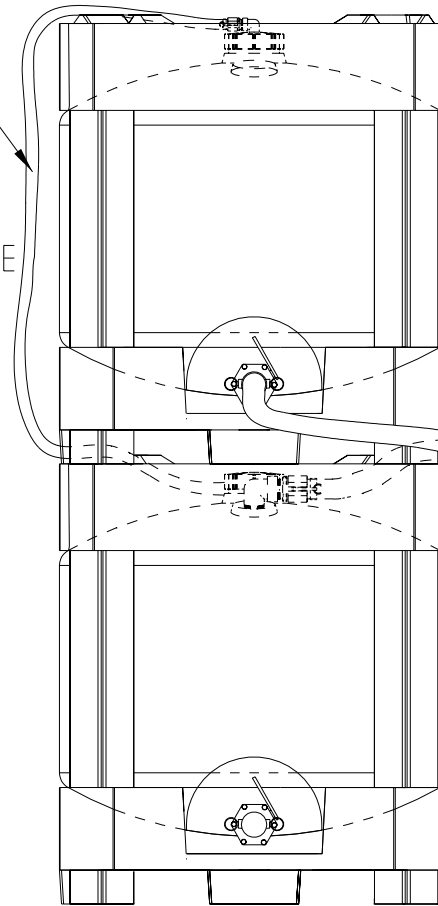
1. THE STACKED DISCHARGE HOSE ASSEMBLIES SHOWN HERE WILL WORK WITH SQUARE STACKABLE, ULTRATAINER, AND MEGATAINER IBC'S.
2. THE STACKED DISCHARGE DRAIN HOSE ASSEMBLY CONSISTS OF A 2" PVC-KANAFLEX #112CL HOSE WITH A FEMALE 2" CAMLOCK COUPLER ON EACH END. ACTUAL HOSE LENGTH IS 6 FEET. A 2" STREET ELBOW WITH A 2" MALE ADAPTER IS INCLUDED FOR USE IN THE TOP OF THE BOTTOM TANK AND FITS INTO A REPLACEABLE BUNG LOCATION WITH 2" NPT THREADS.
3. THE STACKED DISCHARGE VENT HOSE ASSEMBLY CONSISTS OF A 1" PVC-KANAFLEX #112CL HOSE WITH A FEMALE 1" CAMLOCK COUPLER ON EACH END. ACTUAL HOSE LENGTH IS 10 FEET. TWO 2" STREET ELBOWS WITH 2" TO 1" REDUCER BUSHINGS AND 1" MALE ADAPTERS ARE INSTALLED INTO THE ELBOWS. ONE OF THESE ELBOW ASSEMBLIES IS FOR INSTALLATION INTO THE BOTTOM TANK. THE OTHER ELBOW ASSEMBLY IS TO BE INSTALLED INTO THE PROPER CAP TO INSURE IT FITS THE TOP IBC. SPECIFY THE 6" HEAVY DUTY CAP FOR ULTRATAINERS OR THE 6.5" GEM CAP FOR SQUARE STACKABLES. THIS INFORMATION IS REQUIRED ON THE ORDER.
4. THE PURPOSE OF THE VENT HOSE ASSEMBLY IS TO ALLOW THE FREE FLOW OF AIR FROM THE BOTTOM CONTAINER INTO THE TOP CONTAINER AS LIQUID IS TRANSFERRED FROM THE TOP CONTAINER INTO THE BOTTOM CONTAINER. THIS RESULTS IN A CLOSED LOOP SYSTEM WHICH PREVENTS VAPORS FROM BEING VENTED TO THE ATMOSPHERE DURING TRANSFER.

STACKED DISCHARGE
VENT HOSE ASM.
P/N 347748



STACKED DISCHARGE
VENT HOSE ASM.
P/N 347748

STACKED DISCHARGE
FEED HOSE ASM.
P/N 347747



STACKED DISCHARGE
FEED HOSE ASM.
P/N 347747

STACKED DISCHARGE DRAIN HOSE ASM.
P/N 347747.

STACKED DISCHARGE VENT HOSE ASM.
P/N 347748 08/19/02

STACKED DISCHARGE DRAIN HOSE & VENT HOSE ASSEMBLIES