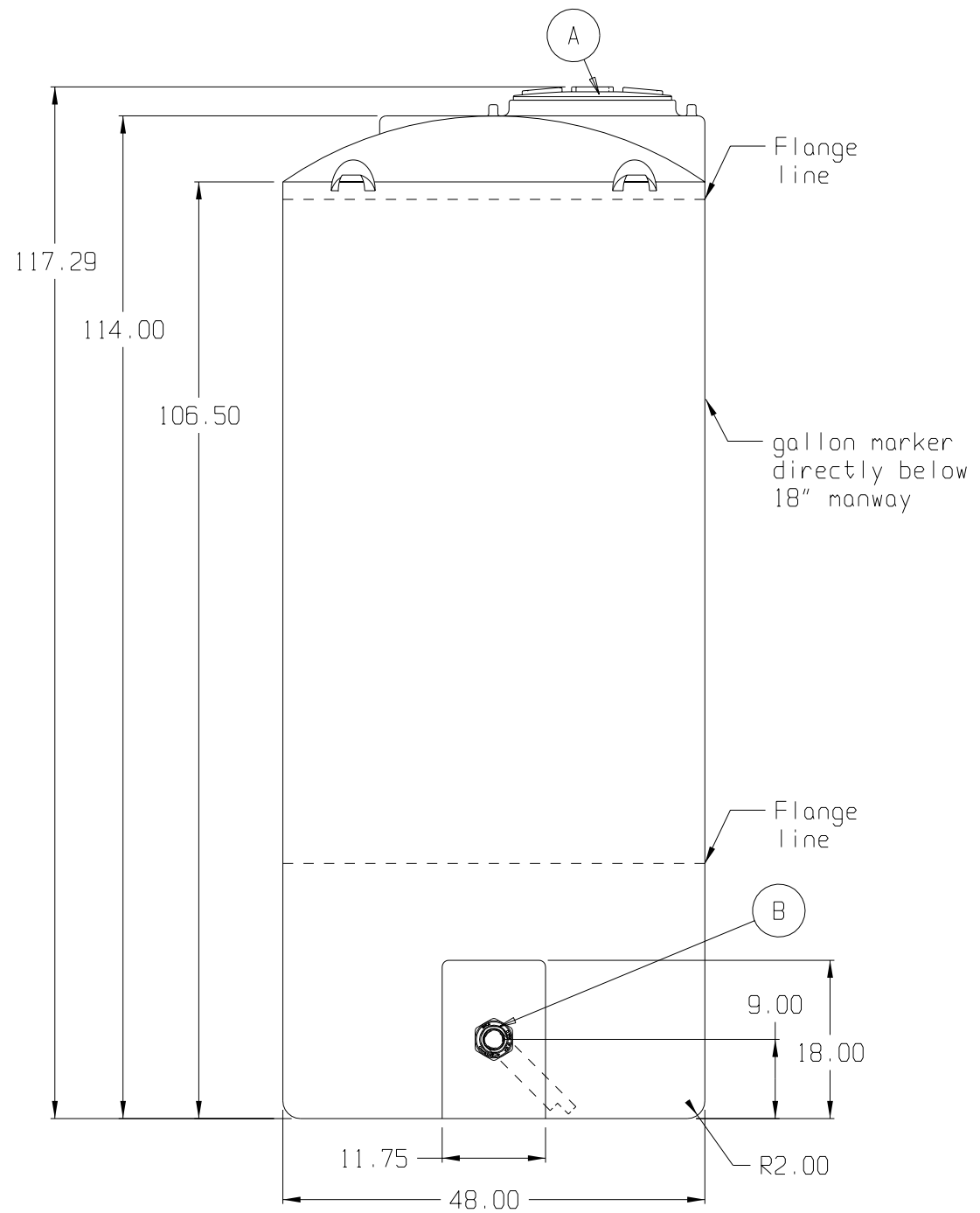


STANDARD OUTLET SPECIFICATION * N1 *

- A. 18" PE THREADED-VENTED MANWAY W/15" ACCESS [P/N 343012]
- B. 2" PP/PE THREADED BH FTG SIPHON TUBE ASSY W/EPDM GASKETS [P/N 347845]



(all dimensions in inches)

BASE FITTINGS TO BE LEFT INSTALLED AT TIME OF SHIPMENT PER Sii PROCEDURE

PART # TANK: 181--L

850 GALLON FLAT BOTTOM TANK

REF#: 0000

06/26/02