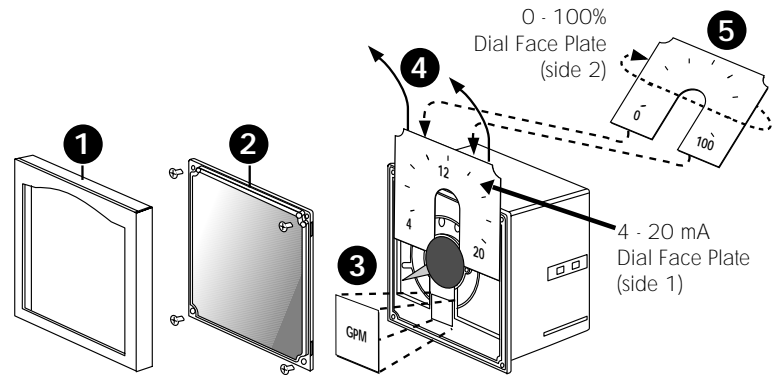


1. Dial Selection

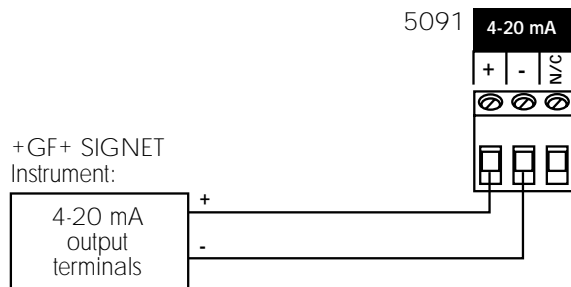
The analog display shows measured current 4 - 20 mA or process percentage 0 - 100%. Meter deflection is fixed from left to right. The instrument is shipped with the 4 - 20 mA dial face plate (4) installed. Reverse the dial face plate (4) for the alternate 0 - 100% scale (5), as desired.

The instrument dial kit (included) contains assorted decals (3) that allow you to identify your process reading. Refer to the illustration for proper dial reversal/decals installation.



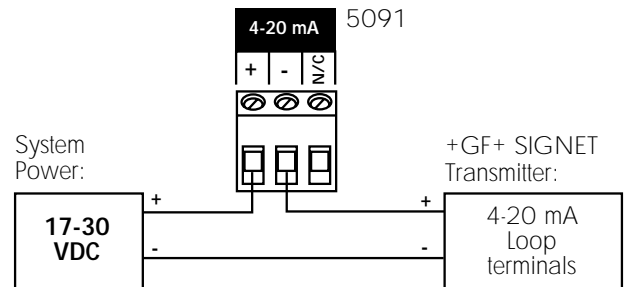
2. Wiring

A. +GF+ SIGNET Instrument Inputs



- +GF+ SIGNET instrument current outputs are internally powered within the instrument.

B. +GF+ SIGNET Transmitter Inputs



- +GF+ SIGNET transmitters require an external 17-30 VDC system power supply to operate.

3. Calibration

The +GF+ SIGNET 5091 Current Monitor is factory calibrated. Meter deflection is forced to zero with a 4.00 mA current input and is forced to full scale with a 20.00 mA current input. The 5091 meter deflection is not field adjustable. There are no user replaceable components in the 5091. Unauthorized repair attempts may void warranty.

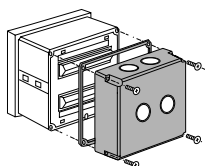
4. Installation Details

The 5091 meter movement is highly sensitive and is not suitable for prolonged exposure to vibration. Prolonged exposure to vibration will damage the instrument.

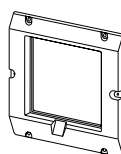
5. Parts and Accessories

There are no user replaceable components in the 5091. Unauthorized repair attempts may void warranty.

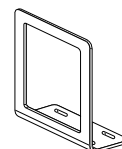
- Front snap-on bezel, #3-5000.525 (code 198 840 226)
- Assorted flow unit/multiplier decal sheet, #3-5091.611 (code 198 869 500)
- 5091 Instruction sheet, #3-5091.090-1 (code 198 869 924)



Splashproof rear cover
#3-5000.395
(code 198 840 227)



5 x 5 inch adapter plate
for +GF+ Signet retrofit
#3-5000.399
(code 198 840 224)

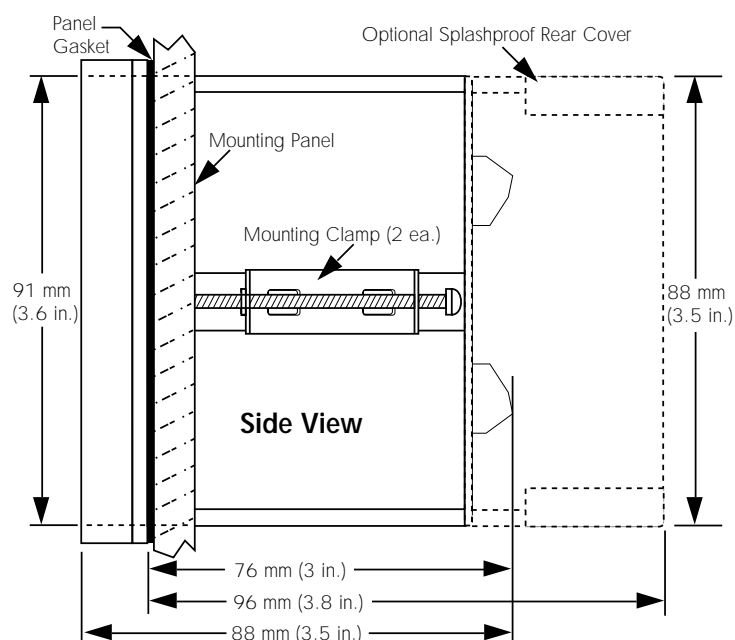
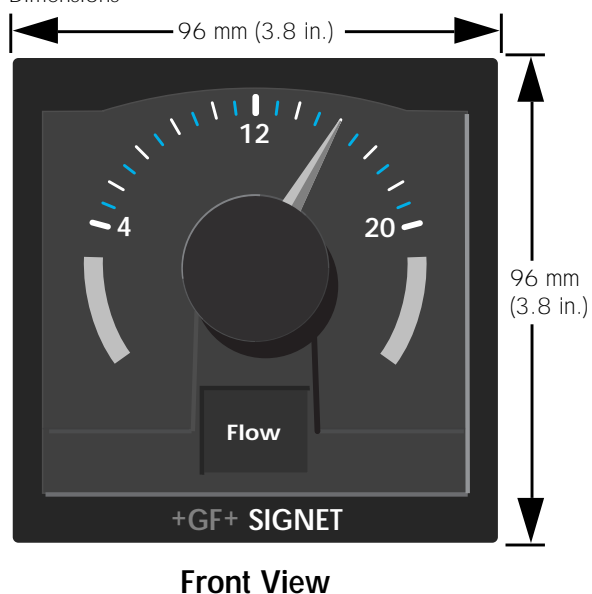


Optional surface mount
bracket #3-5000.598
(code 198 840 225)

6. Specifications

General		Environmental	
Operating range:	4 - 20 mA DC	Operating temp.:	-10 to 65 °C (14 to 149 °F)
		Storage temp.:	-15 to 80 °C (5 to 176 °F)
		Relative humidity:	0 to 95%, non-condensing
Materials:		Quality Standards	
• Enclosure rating:	NEMA 4X/IP65 front	• CE	
• Dimensions:	1/4 DIN, 96 x 96 x 88 mm (3.8 x 3.8 x 3.5 in.)	• Manufactured under ISO 9001	
• Case:	ABS plastic		
• Panel and case gasket:	Neoprene		
• Window:	Hard-coated polycarbonate		
• Weight:	Approximately 450 g (16 oz.)		
Display:		Electrical	
• Type:	Taut-band suspension meter movement, 250° deflection (not suitable for prolonged exposure to vibration)	Power:	None
• Accuracy:	±2% of full scale	Maximum voltage drop:	2.5 VDC @ 20.00 mA
• Repeatability:	±1% of full scale	Noise immunity:	EN50082-2
		Noise emissions:	EN55011
		Safety:	EN61010-1

Dimensions



7. Maintenance

- **Front window:** Never wipe the front window with static retentive cloths such as wool or polyester which may induce a static charge. If a static charge develops on the window, the indication needle may appear erratic or nonfunctional. When this occurs, clean the front window with an antistatic cloth, or a soft cotton cloth and antistatic spray, or a mild liquid soap solution to remove the static charge.
- **Case:** Clean the instrument case and front panel with a soft cotton cloth dampened with a mild liquid soap solution.

+GF+ SIGNET

Signet Scientific Company, 3401 Aerojet Avenue, El Monte, CA 91731-2882/U.S.A., Phone (818) 571-2770, Fax (818) 573-2057

Representative Offices

U.S.A. George Fischer, Inc., 2882 Dow Avenue, Tustin, CA 92680-7285/U.S.A., Toll Free Phone (800) 854-4090, Fax (714) 731-6201

CH Georg Fischer Rohrleitungssysteme AG, CH-8201 Schaffhausen/Schweiz, Tel. 053/81 11 11, Telex 89 70 70 64 gf ch, Fax 053/25 91 30

SIN George Fischer Pte Ltd., 15 Kaki Bukit Road 2, KB Warehouse Complex, Singapore 1441, Tel: 65/747 0611, Fax: 65/747 0577

GEORGE FISCHER +GF+ Piping Systems

3-5091.090-1/(A-1/97), English

© Signet Scientific Company 1997



PRINTED ON RECYCLED PAPER

Printed in U.S.A.