

# Flo-Safe G

## Gasketed Containment Pipe & Fittings

### Materials

#### Pipe and Fittings

Clear PVC • Polypropylene

#### Gaskets

EPDM (Standard) • Viton (Special Order)

### Size Selection

#### Containment Size

4"  
6"  
4" or 6"

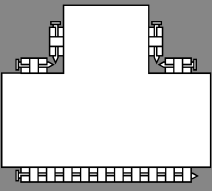
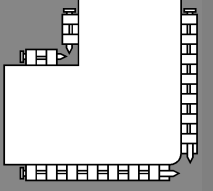
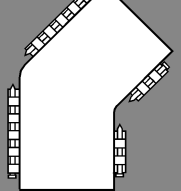

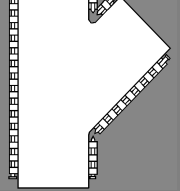
contains  
contains  
contains

#### Carrier Size

3/4", 1", 1 1/4", 1 1/2", 2"  
2", 2", 4"  
Multiple lines



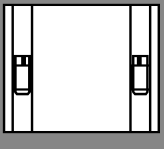
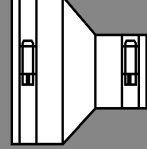
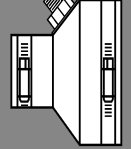
### 2-Piece split fittings

NOTE: For polypropylene fittings, replace C prefix with P.

				
Tee	90° Elbow	45° Elbow	Extended Coupling	Lateral Wye
4" C91040 6" C91060	4" C96040 6" C96060	4" C97040 6" C97060	4" C99040 6" C99060	4" C94040 6" C94060

### 2-Piece Split Port

### 1-Piece Non-Split Fittings

				
Leak Terminating	Drain/Vent	Coupling	Terminating	
4" 444075 6" 446075	4" 454075 6" 456075	4x4" 95644 6x6" 95666	4x3/4" 95647 4x1" 95641 4x1 1/2" 95645 4x2" 95642 6x3" 95663	4x3/4" 95647T 4x1" 95641T 4x1 1/2" 95645T 4x2" 95642T 6x3" 95663T

### Pipe

4" 90040  
6" 90060

### Pipe Centralizers

4x3/4" P95047  
4x2" P95042  
4x1" P95041  
6x3" P95063  
4x1 1/2" P9504  
6x4" 5