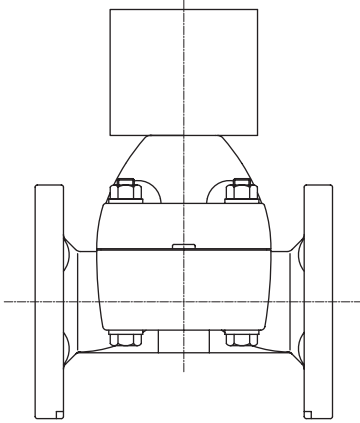


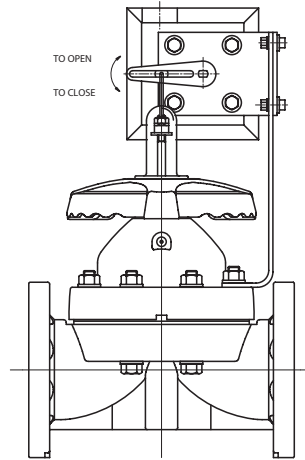
Operating Nuts

Available in 2" square or "T" configurations. Used for remote operation of a valve by a wrench.



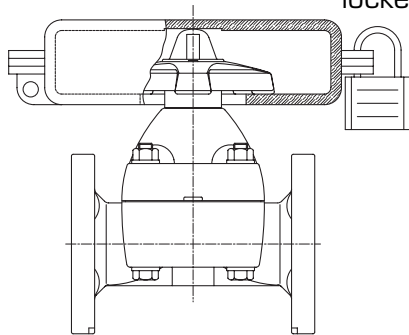
Limit Switches

Limit switches are used for remote position indication with the use of lights or for sequencing of other equipment.



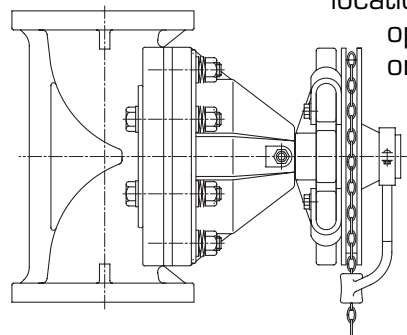
Locking Handles

To prevent unauthorized operation, the valve handwheel can be pad-locked in the open or closed position.



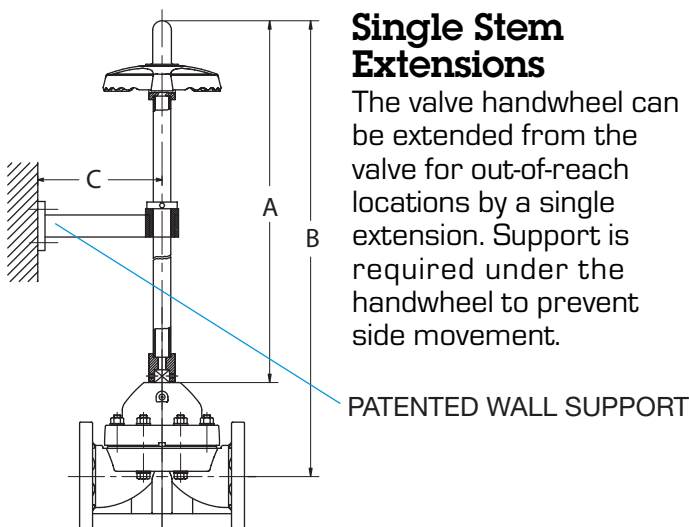
Chain Operators

Installed on the round handwheel of a valve in overhead, out-of-reach locations. The valve is operated by pulling on the chain.



Single Stem Extensions

The valve handwheel can be extended from the valve for out-of-reach locations by a single extension. Support is required under the handwheel to prevent side movement.



Two-Piece Stem and Housing

For buried or submerged applications. A PVC housing surrounds the extended stem for protection from an aggressive environment, or to function as a box.

