



Omni® Ball Valve

Omni® Ball Valve

Specifications

- Sizes:** 3/8" - 3"
- Models:** Socket and Threaded
- Bodies:** PVC, CPVC
- Seats:** PTFE backed with EPDM
- Seals:** EPDM

† Trademarks of E. I. du Pont de Nemours and Company
Omni® is a Trademark of Asahi/America, Inc.

Standard Features (Sizes 3/8" - 3")

- Blocks in two directions
- Rugged structure
- Unibody construction
- Compact, low profile, short face-to-face dimensions
- PTFE seat backed by EPDM for low stem torque
- Rated for full vacuum service

Options

- Viton®† backing cushions and O-ring
- Electrically actuated

Pressure vs. Temperature (PSI, WATER, NON-SHOCK)

| NOMINAL SIZE | | PVC | | CPVC | | |
|--------------|-------|-----------------|-----------------|------------------|------------------|------------------|
| | | 30° F 120° F | 30° F 120° F | 121° F 140° F | 141° F 175° F | 176° F 195° F |
| INCHES | mm | | | | | |
| 3/8-2 | 13-50 | 150 | 150 | 120 | 90 | 60 |
| 3 | 80 | 150 | 150 | 120 | 90 | 60 |

Sample Specification

All OMNI® ball valves size 3/8" - 3" shall be of one-piece compact design non-union type. All O-rings shall be EPDM or Viton®† with PTFE seats. Seats must have elastomeric backing cushions of the same material as the valve seals. PVC conforming to ASTM D1784 Cell Classification 12454-A, and CPVC conforming to ASTM D1784 Cell Classification 23567-A. Valve shall be rated 150 psi at 70°F, as manufactured by Asahi-America, Inc.

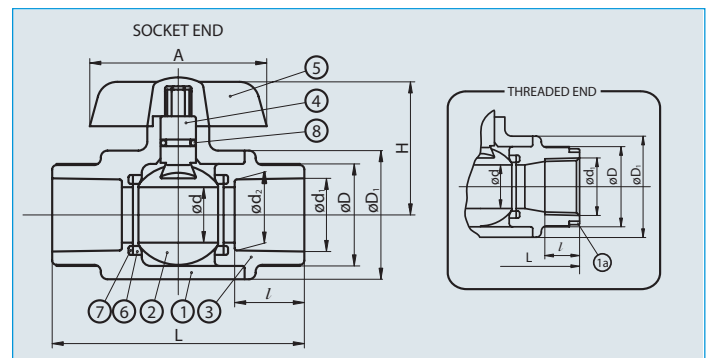
Dimensions (Sizes 3/8" - 3")

| NOMINAL SIZE | | SOCKET | | | | THREADED | | | | | | | | NOMINAL SIZE | | SOCKET THR'D | NOMINAL SIZE | | Cv |
|--------------|----|-------------|-------|------|------|------------------|------|------|------|------|------|------|------|--------------|----|--------------|--------------|----|-----|
| | | ANSI SCH 40 | | | | | | | | | | | | | | | | | |
| INCHES | mm | d1 | d2 | l | L | d1 | l | L | d | A | D | D1 | h | INCHES | mm | INCHES | mm | | |
| 3/8 | 13 | 0.687 | 0.671 | 0.59 | 3.35 | 3/8-18 NPT | 0.59 | 3.35 | 0.51 | 2.36 | 1.22 | 1.38 | 1.65 | 3/8 | 13 | 0.22 | 3/8 | 13 | 7.7 |
| 1/2 | 15 | 0.848 | 0.836 | 0.69 | 3.82 | 1/2-14 NPT | 0.59 | 3.82 | 0.59 | 2.76 | 1.22 | 1.38 | 1.73 | 1/2 | 15 | 0.26 | 1/2 | 15 | 14 |
| 3/4 | 20 | 1.058 | 1.046 | 0.72 | 4.02 | 3/4-14 NPT | 0.67 | 4.06 | 0.79 | 3.15 | 1.46 | 2.17 | 2.17 | 3/4 | 20 | 0.55 | 3/4 | 20 | 29 |
| 1 | 25 | 1.325 | 1.310 | 0.87 | 4.49 | 1-11 1/2 NPT | 0.79 | 4.45 | 0.98 | 3.15 | 1.77 | 2.36 | 2.36 | 1 | 25 | 0.88 | 1 | 25 | 47 |
| 1 1/4 | 30 | 1.670 | 1.655 | 0.94 | 5.00 | 1 1/4-11 1/2 NPT | 0.87 | 5.00 | 1.22 | 3.74 | 2.13 | 2.76 | 2.76 | 1 1/4 | 30 | 1.21 | 1 1/4 | 30 | 72 |
| 1 1/2 | 40 | 1.912 | 1.894 | 1.09 | 5.98 | 1 1/2-11 1/2 NPT | 0.98 | 5.94 | 1.38 | 4.33 | 2.50 | 2.99 | 2.99 | 1 1/2 | 40 | 1.32 | 1 1/2 | 40 | 140 |
| 2 | 50 | 2.387 | 2.369 | 1.16 | 6.93 | 2-11 1/2 NPT | 1.10 | 6.97 | 1.77 | 4.33 | 3.01 | 3.31 | 3.31 | 2 | 50 | 2.20 | 2 | 50 | 185 |
| 3 | 80 | 3.516 | 3.492 | 1.87 | 9.29 | 3-8 PT | 1.17 | 9.29 | 2.70 | 7.87 | 4.25 | 4.88 | 4.88 | 3 | 80 | 6.61 | 3 | 80 | 410 |

Parts List (Sizes 3/8" - 3")

| PARTS | | | |
|-------|---------------|------|---------------------|
| NO. | DESCRIPTION | PCS. | MATERIAL |
| 1 | Body | 1 | PVC, CPVC |
| 2 | Ball | 1 | PVC, CPVC |
| 3 | End Connector | 1 | PVC, CPVC |
| 4 | Stem | 1 | PVC, CPVC |
| 5 | Handle | 1 | ABS |
| 6 | Seat | 2 | PTFE |
| 7 | Cushion | 2 | EPDM, Others |
| 8 | O-Ring | 1 | EPDM, Others |
| 1a | Ring* | 2 | 304 Stainless Steel |

*Used for CPVC body, threaded end, 1/2" - 1"



Weight (LBS.) Cv Values