

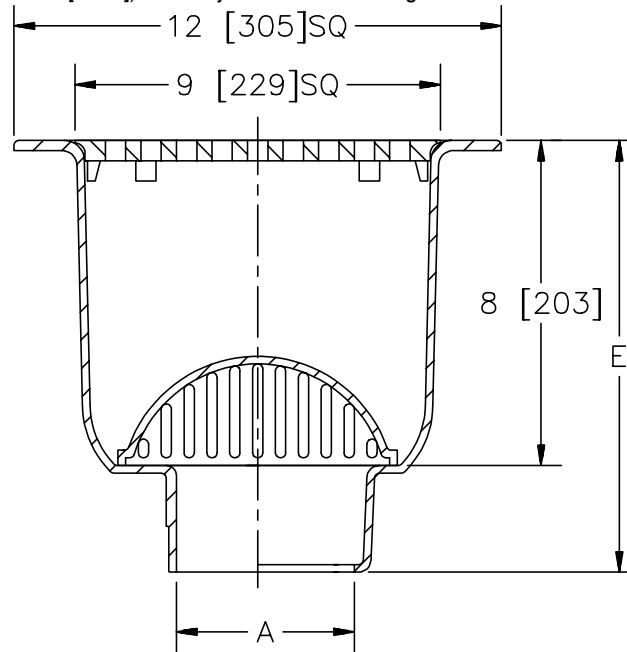


# Z-1901

## 12" X 12" [305 X 305] A.R.E. SANI-FLOR RECEPTOR 8" [203] SUMP DEPTH

TAG \_\_\_\_\_

Dimensional Data (inches and [ mm ]) are Subject to Manufacturing Tolerances and Change Without Notice



A- Pipe Size In.	Approx Wt. Lbs. [kg]	Grate Open Area Sq. In. [cm <sup>2</sup> ]
2-3-4 [50-75-100]	34 [15]	31 [200]

**ENGINEERING SPECIFICATION:** ZURN Z-1901 Sani-Flor Receptor 12 x 12 x 8 [305 x 305 x 203] deep cast iron body and square slotted medium duty grate, with white acid resisting porcelain enamel interior and top, complete with aluminum anti-splash interior bottom dome strainer.

**OPTIONS** (Check/specify appropriate options)

**PIPE SIZE**

- 2, 3, 4 [50, 75, 100]
- 2, 3, 4 [50, 75, 100]
- 2, 3, 4 [50, 75, 100]

(Specify size/type) **OUTLET**

- \_\_\_ IC Inside Caulk
- \_\_\_ NH No-Hub
- \_\_\_ NL Neo-Loc

**'E' BODY HT. DIMENSION**

Z	ZN
10 5/8 [270]	11 1/8 [283]
10 5/8 [270]	11 1/8 [283]
10 [254]	10 1/2 [267]

**PREFIXES**

- \_\_\_ Z- Cast Iron Body with White A.R.E. Interior\*
- \_\_\_ ZN- Cast Iron Body with White A.R.E. Interior, 12 1/2 [318] Square N.B. Frame and Full Grate with 1/2 [13] Square Openings (Add 1/2 [13] to 12 [305] and 'E' Dim.)

**SUFFIXES**

- |  |   |
|--|---|
| ___ -DX Dex-o-Tex Flange   | ___ -8 Grate w/8 7/8 x 3 5/8 x 3 3/4 [225 x 92 x 95] High Oval Funnel |
| ___ -HD Nickel Bronze Frame w/X-Heavy Duty Stainless Steel Grate | ___ -9 Angle Frame and Grate  |
| ___ -HP Heelproof Grate (1/4 [6] Sq. Openings)                   | ___ -11 Vandal Proof Secured Grate                                    |
| ___ -K Flange With Seepage Holes                                 | ___ -12 Depressed Aluminum Grate                                      |
| ___ -KC Flange With Seepage Holes With Clamp Collar              | ___ -15 Solid Loose Set Cover   |
| ___ -LD (Less) Bottom Dome Strainer                              | ___ -16 1/2 Solid Loose Set Cover                                     |
| ___ -P 1/2 [13] Trap Primer Connection (See Z-1023)              | ___ -17 3/4 Solid Loose Set Cover                                     |
| ___ -1 (Less) Grate  | ___ -18 Solid Loose Set Cover With 2 [51] Square Center Opening       |
| ___ -2 1/2 Grate   | ___ -19 Full Hinged Grate   |
| ___ -3 3/4 Grate   | ___ -23 Aluminum Bucket   |
| ___ -4 Full Grate With 2 [51] Square Opening                     | ___ -25 White A.R.E. Bucket   |
| ___ -5 Grate w/4 [102] dia. x 3 3/4 [95] High Funnel             | ___ -31 Stainless Steel Mesh Liner for Bucket                         |
| ___ -6 Grate w/6 [152] dia. x 6 [152] High Funnel                | ___ -33 White A.R.E. Anti-Splash Bottom Dome Strainer                 |
| ___ -7 Grate w/6 3/4 x 3 x 1 [171 x 76 x 25] High Oval Funnel    | ___ -34 N.B. Anti-Splash Bottom Dome Strainer                         |

REV. C DATE: 5/13/97 C.N. NO. 77620

DWG. NO. 59342 PRODUCT NO. Z-1901

\*REGULARLY FURNISHED UNLESS OTHERWISE SPECIFIED