

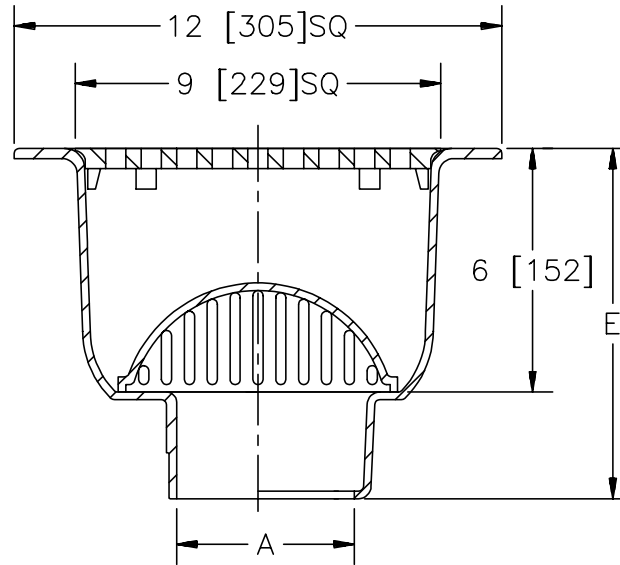


Z-1900

12" x 12" [305 x 305] A.R.E. SANI-FLOR RECEPTOR 6" [152] SUMP DEPTH

TAG _____

Dimensional Data (inches and [mm]) are Subject to Manufacturing Tolerances and Change Without Notice



A- Pipe Size In.	Approx Wt. Lbs. [kg]	Grate Open Area Sq. In. [cm ²]
2-3-4 [50-75-100]	32 [15]	31 [200]

ENGINEERING SPECIFICATION: ZURN Z-1900 Sani-Flor Receptor 12 x 12 x 6 [305 x 305 x 152] deep cast iron body and square slotted medium duty grate, with white acid resisting porcelain enamel interior and top, complete with aluminum anti-splash interior bottom dome strainer.

OPTIONS (Check/specify appropriate options)

PIPE SIZE

- 2, 3, 4 [50, 75, 100]
- 2, 3, 4 [50, 75, 100]
- 2, 3, 4 [50, 75, 100]

(Specify size/type) **OUTLET**

- _____ IC Inside Caulk
- _____ NH No-Hub
- _____ NL Neo-Loc

'E' BODY HT. DIMENSION

Z	ZN
8 5/8 [219]	9 1/8 [232]
8 5/8 [219]	9 1/8 [232]
8 [203]	8 1/2 [216]

PREFIXES

- _____ Z- Cast Iron Body with White A.R.E. Interior*
- _____ ZN- Cast Iron Body with White A.R.E. Interior, 12 1/2 [318] Square N.B. Frame and Full Grate with 1/2 [13] Square Openings (Add 1/2 [13] to 12 [305] and 'E' Dim.)

SUFFIXES

- | | |
|--|---|
| _____ -DX Dex-o-Tex Flange | _____ -8 Grate w/8 7/8 x 3 5/8 x 3 3/4 [225 x 92 x 95] High Oval Funnel |
| _____ -HD Nickel Bronze Frame w/X-Heavy Duty Stainless Steel Grate | _____ -9 Angle Frame and Grate |
| _____ -HP Heelproof Grate (1/4 [6] Sq. Openings) | _____ -11 Vandal Proof Secured Grate |
| _____ -K Flange With Seepage Holes | _____ -12 Depressed Aluminum Grate |
| _____ -KC Flange With Seepage Holes With Clamp Collar | _____ -15 Solid Loose Set Cover |
| _____ -LD (Less) Bottom Dome Strainer | _____ -16 1/2 Solid Loose Set Cover |
| _____ -P 1/2 [13] Trap Primer Connection (See Z-1023) | _____ -17 3/4 Solid Loose Set Cover |
| _____ -1 (Less) Grate | _____ -18 Solid Loose Set Cover With 2 [51] Square Center Opening |
| _____ -2 1/2 Grate | _____ -19 Full Hinged Grate |
| _____ -3 3/4 Grate | _____ -23 Aluminum Bucket |
| _____ -4 Full Grate With 2 [51] Square Opening | _____ -25 White A.R.E. Bucket |
| _____ -5 Grate w/4 [102] dia. x 3 3/4 [95] High Funnel | _____ -31 Stainless Steel Mesh Liner for Bucket |
| _____ -6 Grate w/6 [152] dia. x 6 [152] High Funnel | _____ -33 White A.R.E. Anti-Splash Bottom Dome Strainer |
| _____ -7 Grate w/6 3/4 x 3 x 1 [171 x 76 x 25] High Oval Funnel | _____ -34 N.B. Anti-Splash Bottom Dome Strainer |

REV. C	DATE: 5/5/97	C.N. NO. 77619
DWG. NO. 59341	PRODUCT NO. Z-1900	

*REGULARLY FURNISHED UNLESS OTHERWISE SPECIFIED