

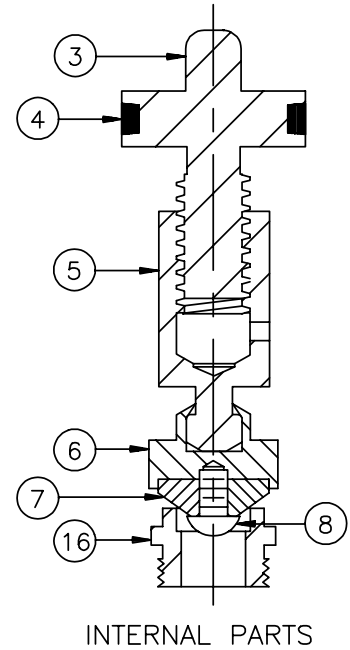
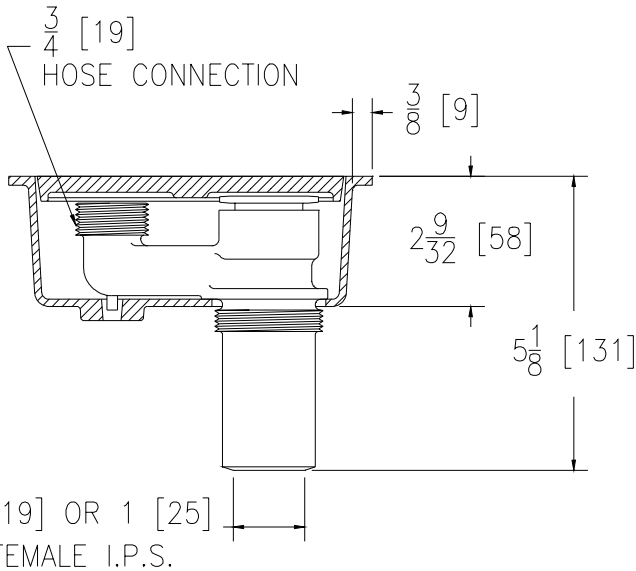
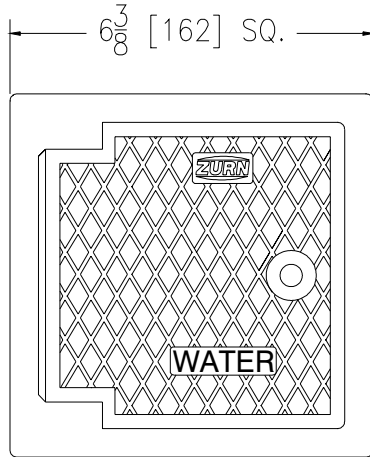


# Z-1375

## GROUND HYDRANT Encased, Moderate Climate, Interior Use

TAG \_\_\_\_\_

Dimensional Data (inches and [ mm ]) are Subject to Manufacturing Tolerances and Change Without Notice



Approx. Wt. Lbs. [kg]
8 [4]

**ENGINEERING SPECIFICATION:** ZURN Z-1375 Encased, moderate climate ground hydrant, for flush with grade or finished floor installation. Complete with all bronze interior parts, replaceable bronze seat and seat washer, and non-turning operating coupling with free-floating compression closure valve. D.C.C.I. box and scoriated hinged cover with "WATER" cast on cover..

**OPTIONS** (Check/specify appropriate options)

**SUFFIXES**

- \_\_\_\_\_ -HD Heavy Duty Cover
- \_\_\_\_\_ -RK Hydrant Parts Repair Kit
- \_\_\_\_\_ -6 Polished Bronze Box
- \_\_\_\_\_ -7 Plain Bronze Box
- \_\_\_\_\_ -10 Polished Nickel Bronze Box
- \_\_\_\_\_ -17 1/4 [6] IP Drain Port in Box

**PARTS LIST**

Item	Name	Quan.
3	Operating Screw	1
4	O-Ring	1
5	Operating Coupling	1
6	Washer Guide	1
7	Washer	1
8	Screw	1
16	Removable Seat	1

REV. C      DATE: 6/28/99      C.N. NO. 82901

DWG. NO. 58881      PRODUCT NO. Z-1375

\*WHEN ORDERING REPLACEMENT PARTS SPECIFY Y DIM.