

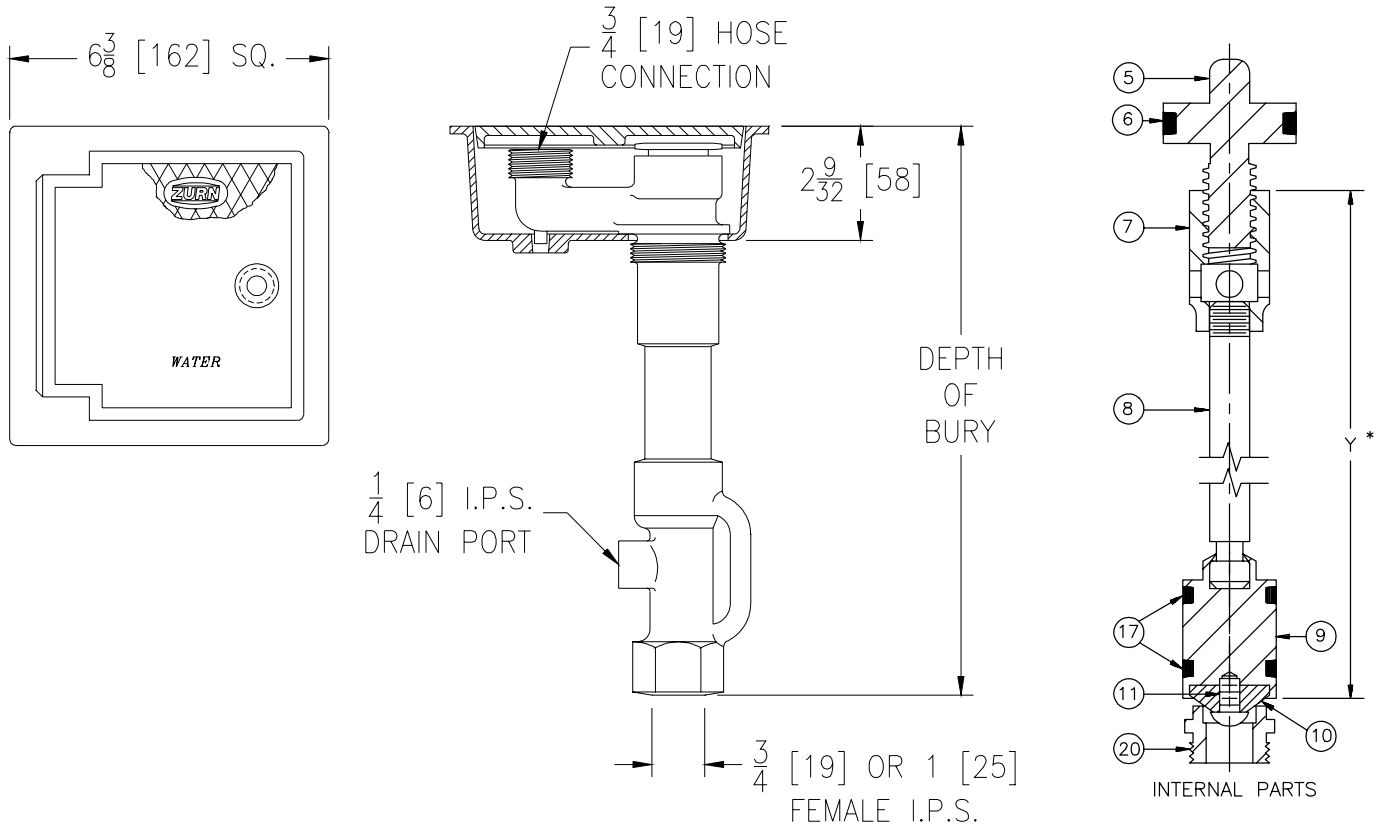


Z-1360

GROUND HYDRANT

Encased, Flush Type, Non-Freeze

Dimensional Data (inches and [mm]) are Subject to Manufacturing Tolerances and Change Without Notice



Depth of Bury Feet	Approx. Wt. Lbs. [kg]
2 [610]	17 [8]
3 [914]	21 [10]
4 [1219]	25 [11]
5 [1524]	33 [15]
6 [1829]	39 [18]
7 [2134]	43 [20]
8 [2438]	47 [21]
9 [2743]	52 [24]
10 [3048]	56 [25]

ENGINEERING SPECIFICATION: ZURN Z-1360 Encased, non-freeze ground hydrant, for flush with grade or finished (non-traffic) floor installation. Complete with bronze casing, all bronze interior parts, bronze seat and replaceable seat washer, non-turning operating rod with free-floating compression closure valve with 3/4 [19] or 1 [25] connection. Plain bronze box and hinged scoriated cover with operating key lock and "WATER" cast on cover. Hydrant is equipped with a tapped 1/4 [6] drain port in valve housing.

Note:

- ** Non-Freeze feature will not function when (-5 suffix) vacuum breaker is specified.
- IMPORTANT** Hydrant must be opened one turn to seal drain port during use.

OPTIONS (Check/specify appropriate options)

SUFFIXES

- ___ -HD Heavy Duty
- ___ -K Flashing Flange
- ___ -KC Flashing Flange With Clamp Collar
- ___ -RK Hydrant Parts Repair Kit
- ___ -5 3/4 [19] Adapter Vacuum Breaker**
- ___ -6 Polished Bronze Box
- ___ -10 Polished Nickel Bronze Box
- ___ -17 1/4 [6] IP Drain Port in Box

PARTS LIST

Item	Name	Quan.
5	Operating Screw	1
6	O-Ring	1
7	Operating Coupling	1
8	Operating Rod	1
9	Washer Guide	1
10	Washer (neoprene)	1
11	Screw	1
17	O-Ring	2
20	Removable Seat	1

REV. D DATE: 6/28/99 C.N. NO. 82899

DWG. NO. 58878 PRODUCT NO. Z-1360

*WHEN ORDERING REPLACEMENT PARTS SPECIFY Y DIM.