

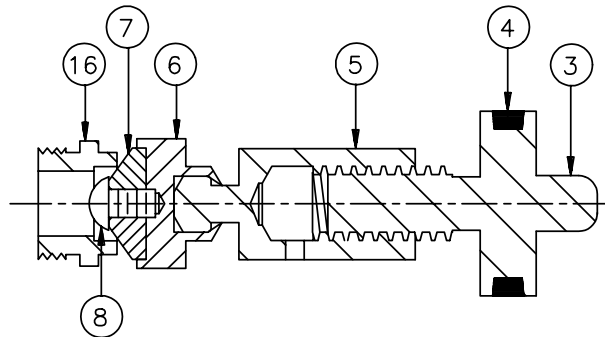
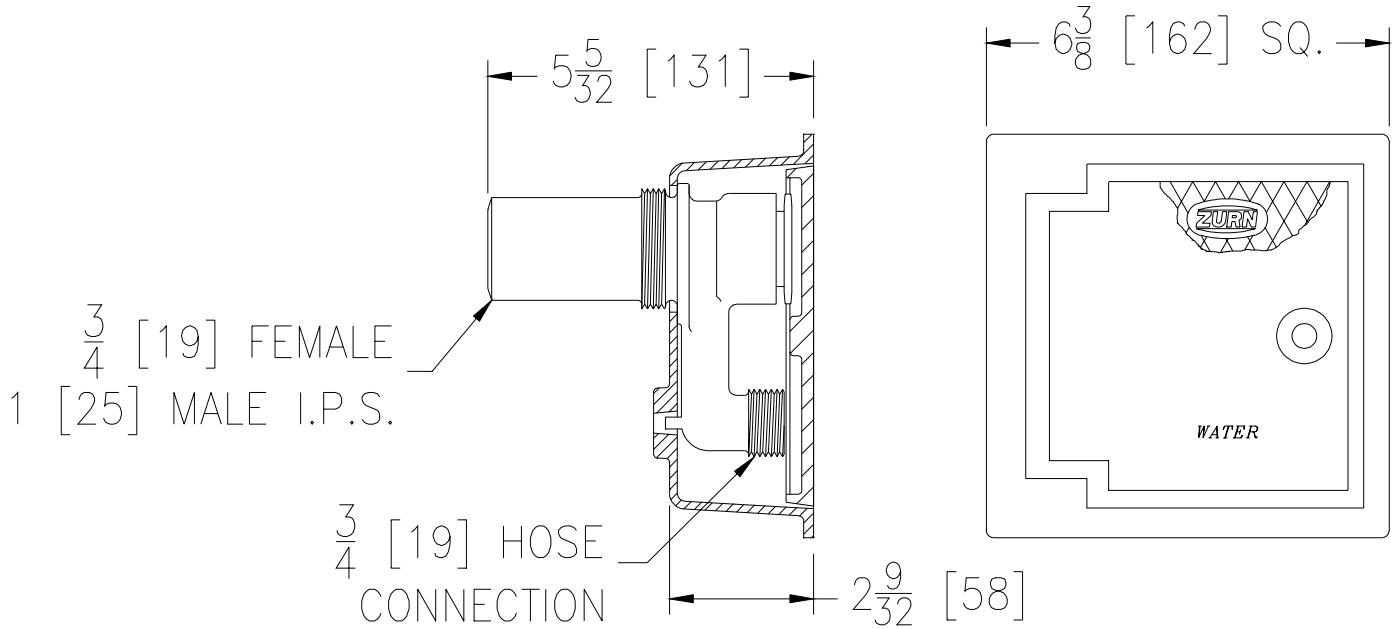


# Z-1335

## ECOLOTRON WALL HYDRANT- Encased, Moderate Climate

TAG \_\_\_\_\_

Dimensional Data (inches and [ mm ]) are Subject to Manufacturing Tolerances and Change Without Notice



INTERNAL PARTS

Wall Thickness In Inches	Approx. Wt. Lbs. [kg]
6 [152]	8 [4]

**ENGINEERING SPECIFICATION:** ZURN Z-1335 Encased flush wall hydrant, for moderate climate and interior wall installation. Complete with all bronze interior parts, non-turning operating coupling with free-floating compression closure valve and replaceable bronze seat and seat washer, and 3/4 [19] female IP inlet. Nickel bronze box and hinged cover with operating key lock and "WATER" cast on cover.

**OPTIONS** (Check/specify appropriate options)

**SUFFIXES**

- \_\_\_\_\_ -RK Hydrant Parts Repair Kit
- \_\_\_\_\_ -3 3/4 [19] Solder Female Inlet Adapter
- \_\_\_\_\_ -6 Polished Bronze Face
- \_\_\_\_\_ -7 Plain Bronze Face
- \_\_\_\_\_ -8 D.C.C.I. Box
- \_\_\_\_\_ -12 Cylinder Lock
- \_\_\_\_\_ -13 3/4 [19] IP 90° Inlet Elbow w/Union Nut

**PARTS LIST**

Item	Name	Quan.
3	Operating Screw	1
4	O-Ring	1
5	Operating Coupling	1
6	Washer Guide	1
7	Washer	1
8	Screw	1
16	Removable Seat	1

\*WHEN ORDERING REPLACEMENT PARTS SPECIFY Y DIM.

REV. D	DATE: 6/28/99	C.N. NO. 82897
DWG. NO. 58876	PRODUCT NO. Z-1335	