

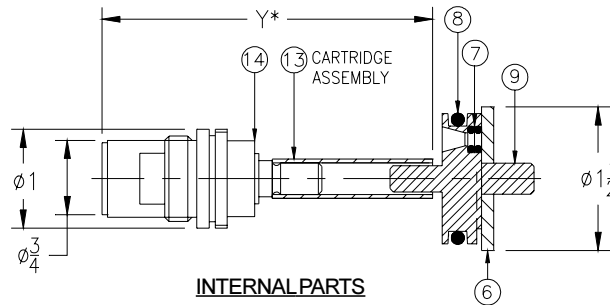
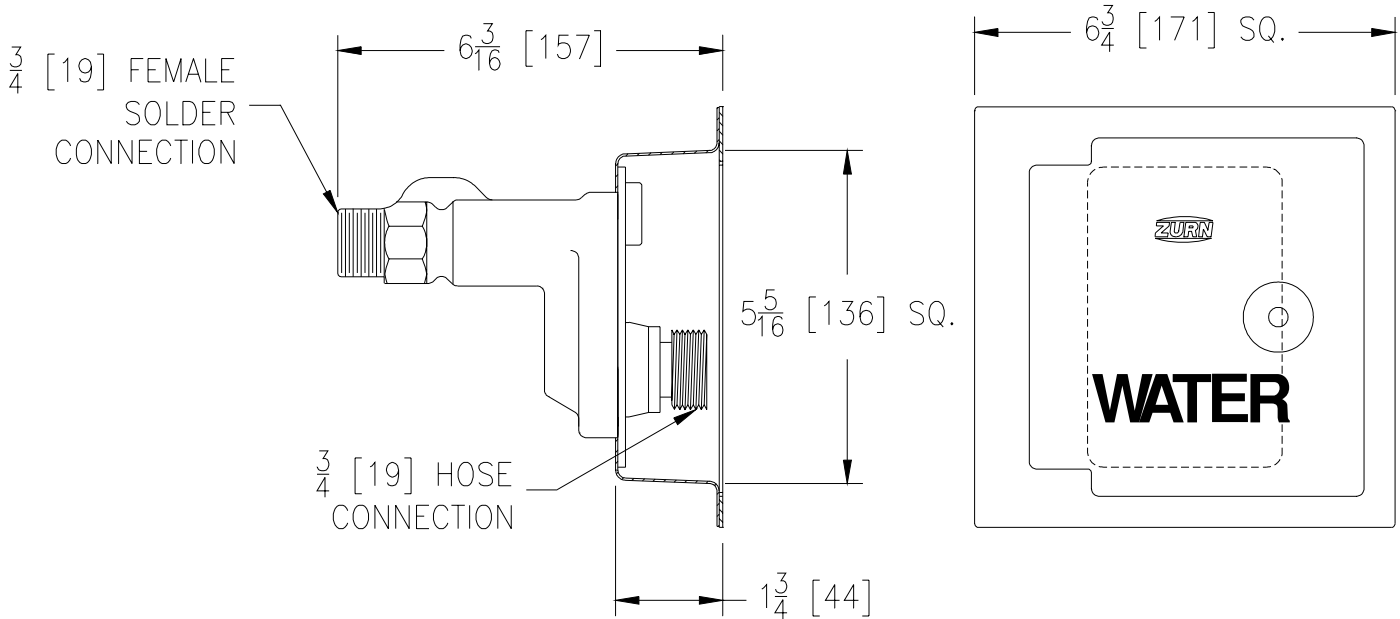


Z-1330

ECOLOTROL CERAMIC DISC WALL HYDRANT Encased, Anti-Siphon, Automatic Draining, Moderate Climate

TAG _____

Dimensional Data (inches and [mm]) are Subject to Manufacturing Tolerances and Change Without Notice



Wall Thickness In Inches	Approx. Wt. Lbs. [kg]
8 [203]	4 [2]

ENGINEERING SPECIFICATION: ZURN Z-1330 Encased Ecolotrol "anti-siphon" wall hydrant, for moderate climate and interior wall installation. Complete with integral backflow preventer, all bronze interior parts with 1/2 turn ceramic disk cartridge and combination 3/4[19] female solder and 3/4[19] male pipe thread inlet. Stainless steel box and hinged cover with operating key lock and "WATER" stamped on cover.

OPTIONS (Check/specify appropriate options)

SUFFIXES

- ___ -RK Hydrant Parts Repair Kit
- ___ -1 3/4 [19] Straight Female Inlet Adapter
- ___ -6 Polished Bronze Face
- ___ -10 Polished Nickel Bronze Face
- ___ -12 Cylinder Lock
- ___ -13 3/4 [19] IP 90° Inlet Elbow w/Union Nut

PARTS LIST

Item	Name	Quan.
14	Cartridge	1
13	Operating Tube	1
9	Operating Coupling	1
8	O-Ring	1
7	O-Ring	2
6	Retaining Washer	1

*WHEN ORDERING REPLACEMENT CARTRIDGE ASSEMBLY PARTS SPECIFY 'Y' DIM.

REV. D	DATE: 6/28/99	C.N. NO. 82895
DWG. NO. 58874	PRODUCT NO. Z-1330	