

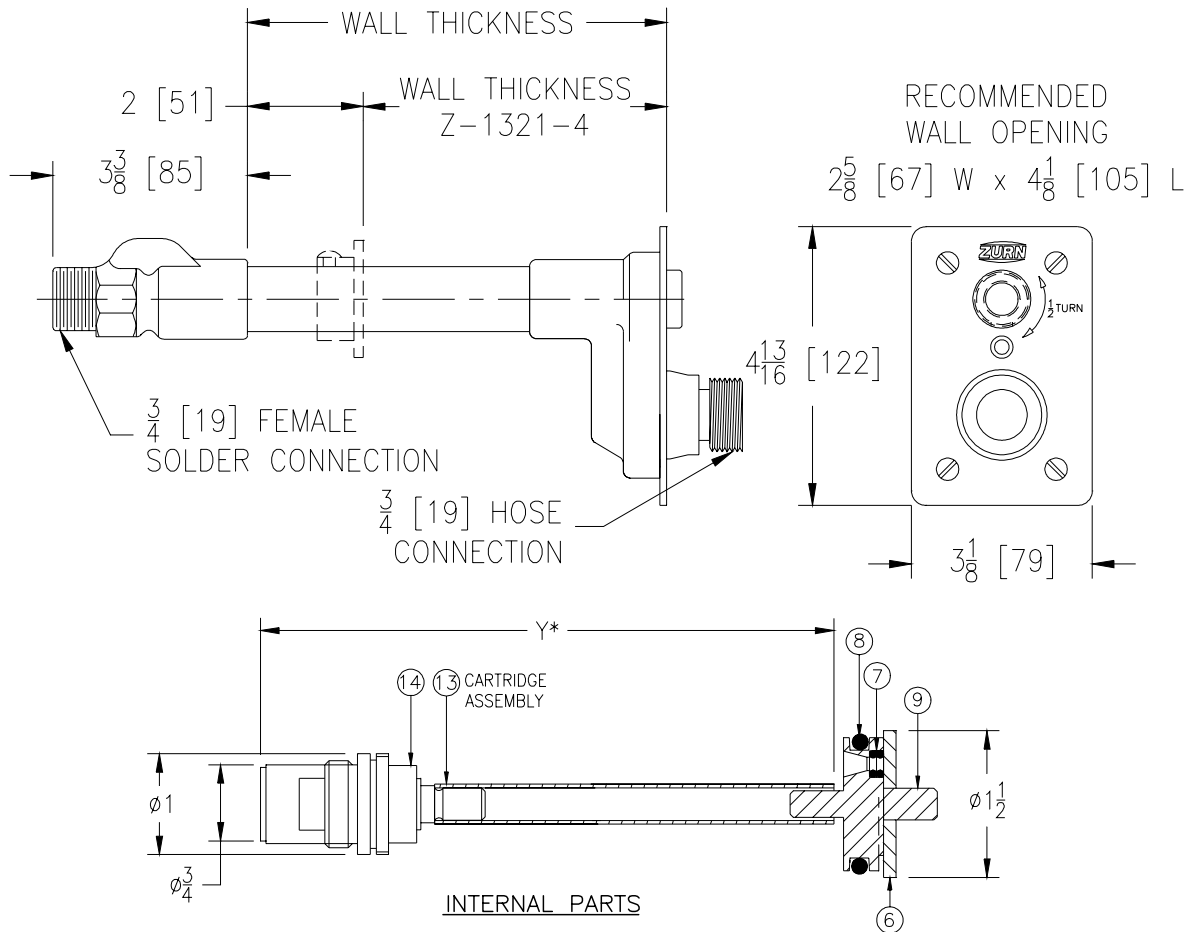


Z-1321

ECOLOTROL CERAMIC DISC WALL HYDRANT Exposed, Non-Freeze, Anti-Siphon, Automatic Draining

TAG _____

Dimensional Data (inches and [mm]) are Subject to Manufacturing Tolerances and Change Without Notice



Wall Thickness Inches	Approx. Wt. Lbs. [kg]
4-6-8 [102-152-203]	3 [1]
10-12-14 [254-305-356]	6 [3]
16-18 [406-457]	5 [2]
20-22-24 [508-559-610]	6 [3]

ENGINEERING SPECIFICATION: ZURN-1321 Exposed Ecolotrol "anti-siphon" automatic draining wall hydrant. Complete with copper casing, all bronze interior parts with 1/2 turn ceramic disk cartridge and combination 3/4[19] female solder and 3/4[19] male pipe thread inlet. Stainless steel face with operating key lock. (All solder connections are lead free.)

OPTIONS (Check/specify appropriate options)

SUFFIXES

- _____ -RK Hydrant Parts Repair Kit
- _____ -1 3/4 [19] IP Straight Female Inlet Adapter
- _____ -4 Wall Clamp
- _____ -13 3/4 [19] IP 90° Inlet Elbow w/Union Nut

PARTS LIST

Item	Name	Quan.
14	Cartridge	1
13	Operating Tube	1
9	Operating Coupling	1
8	'O' Ring	1
7	'O' Ring	2
6	Retaining Washer	1

REV. D	DATE: 6/25/99	C.N. NO. 82892
DWG. NO. 58872		PRODUCT NO. Z-1321

*WHEN ORDERING REPLACEMENT CARTRIDGE ASSEMBLY SPECIFY YDIM.