

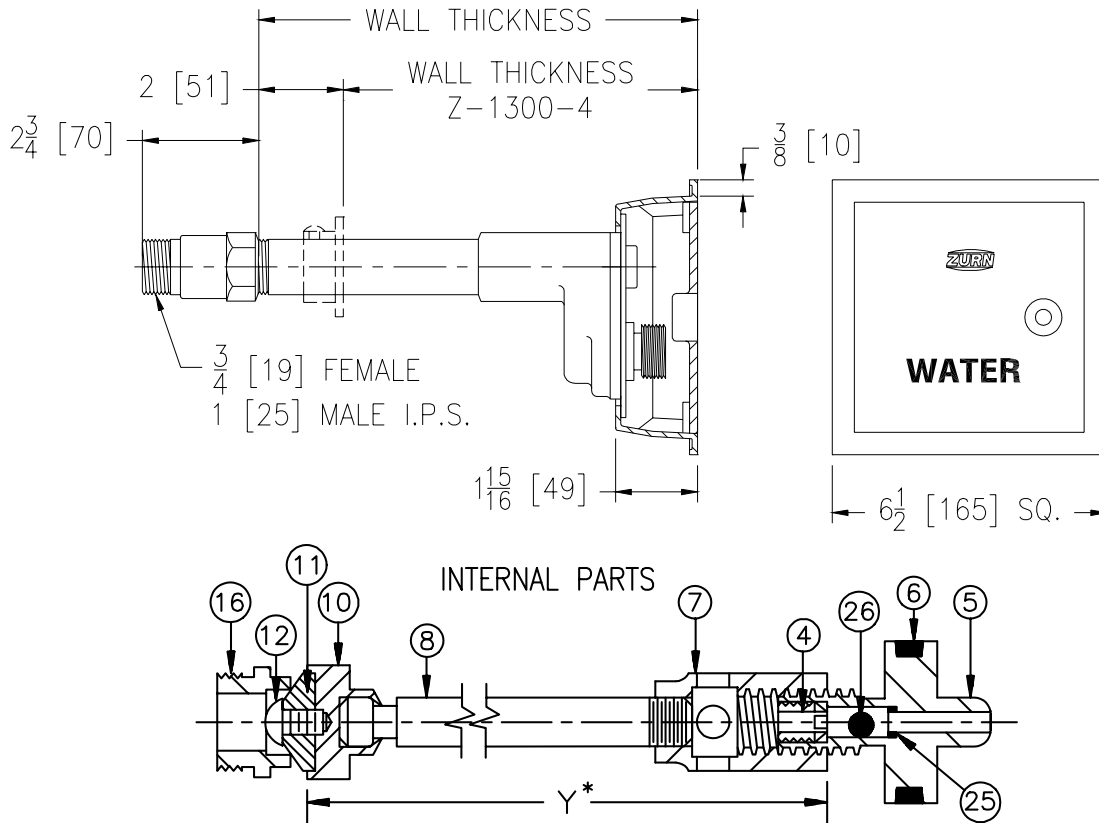


Z-1300

ECOLOTROL WALL HYDRANT- Encased, Non-Freeze, Anti-Siphon, Automatic Draining

TAG _____

Dimensional Data (inches and [mm]) are Subject to Manufacturing Tolerances and Change Without Notice



Wall Thickness Inches	Approx. Wt. Lbs. [kg]
6-8 [152-203]	9 [4]
10-12-14 [254-305-356]	12 [5]
16-18 [406-457]	15 [7]
20-22-24 [508-559-610]	18 [8]

ENGINEERING SPECIFICATION: ZURN Z-1300 Encased Ecolotrol "anti-siphon" automatic draining wall hydrant for flush installation. Complete with non-freeze type integral backflow preventer, bronze casing, all bronze interior parts, non-turning operating rod with free-floating compression closure valve, replaceable bronze seat and seat washer, and combination 3/4 [19] female or 1 [25] male straight IP inlet. Nickel bronze box and hinged cover with operating key lock and "WATER" cast on cover.

OPTIONS (Check/specify appropriate options)

SUFFIXES

- ____ -RK Hydrant Parts Repair Kit
- ____ -3 3/4 [19] Solder Female Inlet Adapter
- ____ -4 Wall Clamp
- ____ -6 Polished Bronze Face
- ____ -11 Statuary Bronze Face
(Specify light, medium or dark finish)
- ____ -12 Cylinder Lock
- ____ -13 3/4 [19] IP 90° Inlet Elbow w/Union Nut
- ____ -15 Stainless Steel box and Cover

PARTS LIST

Item	Name	Quan.
6	O-Ring	1
4	Screw	1
5	Operating Screw	1
7	Operating Coupling	1
8	Operating Rod	1
10	Washer Guide	1
11	Washer (neoprene)	1
12	Screw	1
16	Removable Seat	1
25	O-Ring	1
26	Ball	1

REV. C	DATE: 6/25/99	C.N. NO. 82887
DWG. NO. 58867	PRODUCT NO. Z-1300	

*WHEN ORDERING REPLACEMENT PARTS SPECIFY Y DIM.