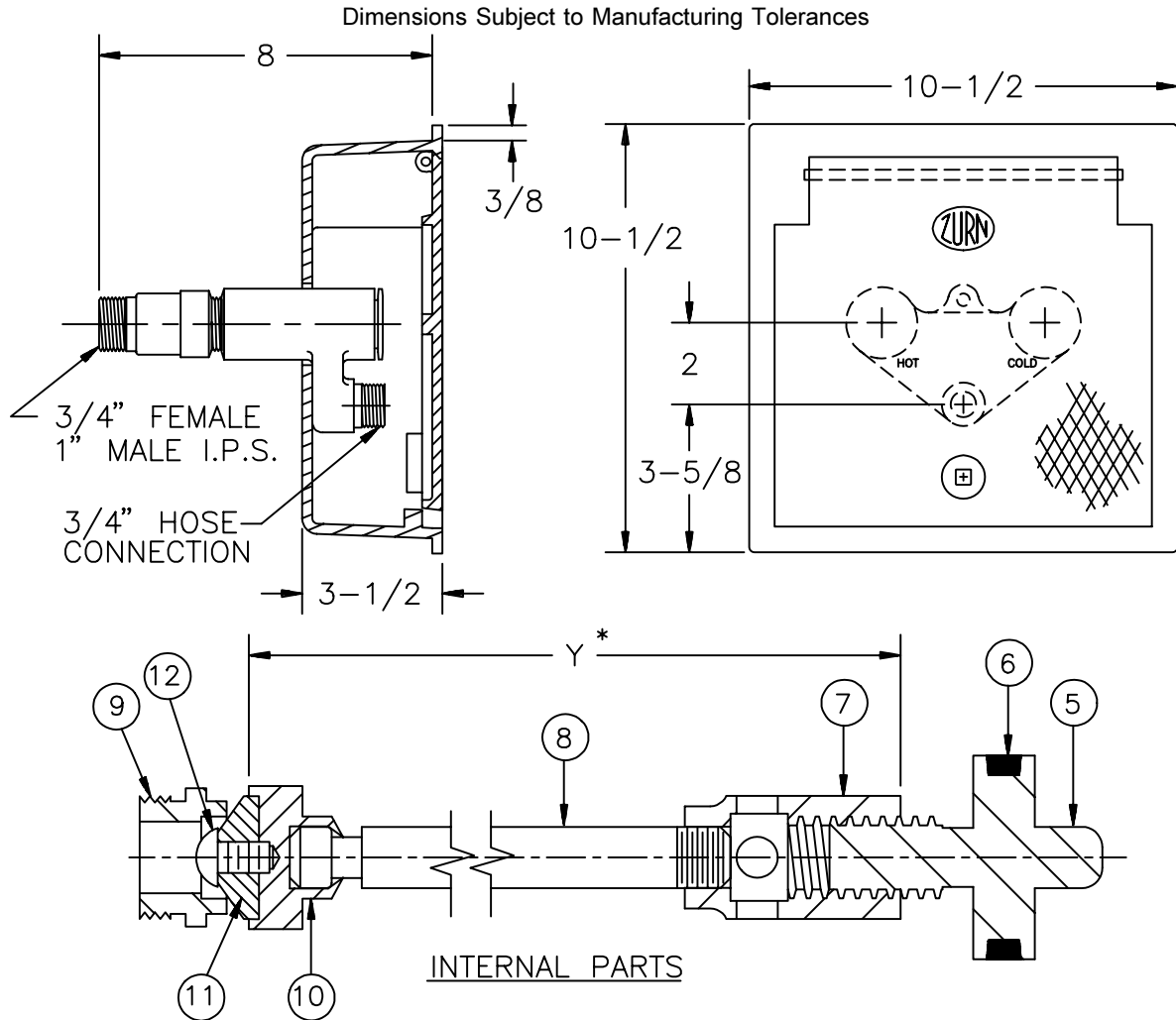




# Z-1326 WALL HYDRANT

Encased, Vari-Temp, Non-Freeze

TAG \_\_\_\_\_



Wall Thickness In Inches	Approx. Wt. Lbs.
6-8	27
10-12-14	31
16-18	35
20-22-24	39

**ENGINEERING SPECIFICATION:** ZURN Z-1326 "Vari-Temp" combination hot and cold water, non-freeze, encased wall hydrant for flush installation. Complete with bronze casing, all bronze interior parts, non-turning operating rods with free-floating compression closure valves, replaceable bronze seat and seat washer, and combination 3/4" female or 1" male straight IP inlet. Nickel bronze box and hinged cover with operating key lock and "WATER" cast on cover.

OPTIONS (Check/specify appropriate options)

**SUFFIXES**

- \_\_\_\_\_ -RK Hydrant Parts Repair Kit
- \_\_\_\_\_ -3 3/4" Solder Female Inlet Adapter
- \_\_\_\_\_ -4 Wall Clamp
- \_\_\_\_\_ -5 3/4" Adapter Vacuum Breaker
- \_\_\_\_\_ -6 Polished Bronze Box
- \_\_\_\_\_ -7 Plain Bronze Box
- \_\_\_\_\_ -12 Cylinder Lock
- \_\_\_\_\_ -13 3/4" IP 90° Inlet Elbow with Union Nut

**PARTS LIST**

Item	Name	Quan.
5	Operating Screw	1
6	O-Ring	1
7	Operating Coupling	1
8	Operating Rod	1
9	Removable Seat	1
10	Washer Guide	1
11	Washer (neoprene)	1
12	Screw	1

\* When ordering replacement parts specify Y dim.

REV. _____	DATE: 9/24/93	C.N. NO. 69265
DWG. NO. 57913	PRODUCT NO. Z-1326	