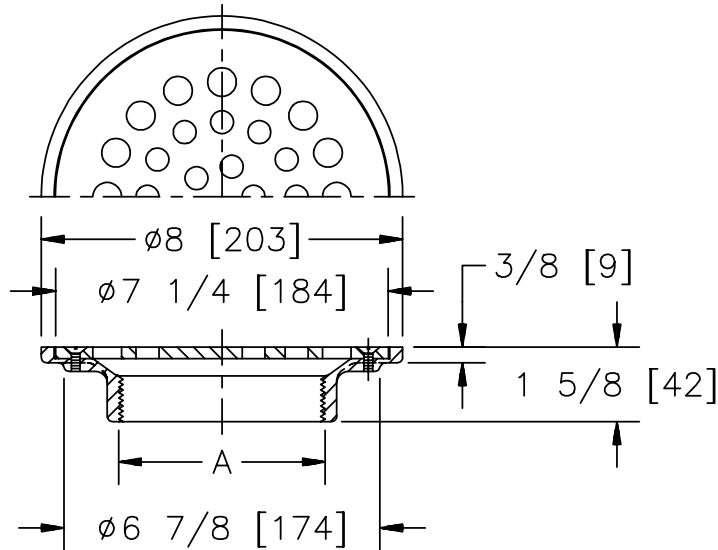




Z-1472 AIR INLET

TAG _____

Dimensional Data (inches and [mm]) are Subject to Manufacturing Tolerances and Change Without Notice



A Pipe Size Inches	Approx. Wt. Lbs [kg]
4 [100]	6 [3]

ENGINEERING SPECIFICATION: ZURN ZANB-1472 Fresh Air Inlet. Round, nickel bronze with secured cover and female threaded connection.

OPTIONS (Check/specify appropriate options)

PIPE SIZE

4 [100]

OUTLET

____ IP Threaded

PREFIXES

- ____ ZAB- Bronze with Polished Top
- ____ ZANB- Nickel Bronze with Polished Top*

SUFFIXES

- ____ -CP Chrome Plated
- ____ -VP Vandal Proof Secured Top

REV. B	DATE: 3/5/97	C.N. NO. 77594
DWG. NO. 58785		PRODUCT NO. Z-1472

*REGULARLY FURNISHED UNLESS OTHERWISE SPECIFIED