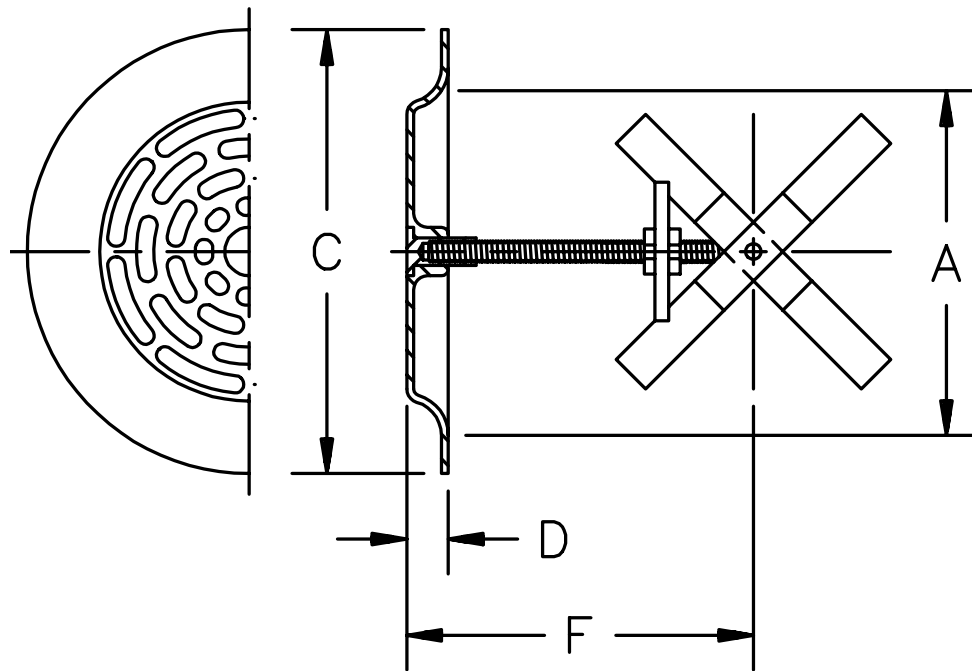




Z-1471 AIR INLET

TAG _____

Dimensional Data (inches and [mm]) are Subject to Manufacturing Tolerances and Change Without Notice



Product Designation	Dimensions In Inches				Open Area Sq. In. [cm ²]	Approx. Wt. Lbs. [kg]
	A-Pipe Size	C	D	F		
-3	3 [75]	8 [203]	3/4 [19]	6 1/4 [159]	9 [229]	3 [1.5]
-4	4 [100]	8 [203]			9 [229]	3 [1.5]
-5	5 [125]	12 [305]			28 [181]	7 [3]
-6	6 [150]	12 [305]			28 [181]	7 [3]
-8	8 [200]	15 [381]			55 [355]	9 [4]
-10	10 [250]	15 [381]			55 [355]	9 [4]

ENGINEERING SPECIFICATION: ZURN ZANB-1471 Fresh Air Inlet. Round nickel bronze, crowned and perforated, complete with 4 point contact locking device.

OPTIONS (Check/specify appropriate options)

PREFIXES

____ ZANB- Nickel Bronze with Polished Top*

SUFFIXES

____ -CP Chrome Plated
 ____ -LC Less Pipe Clamp - With Mounting Holes In Flange

REV. C	DATE: 5/16/00	C.N. NO. 85106
DWG. NO. 58784	PRODUCT NO. Z-1471	

*REGULARLY FURNISHED UNLESS OTHERWISE SPECIFIED