

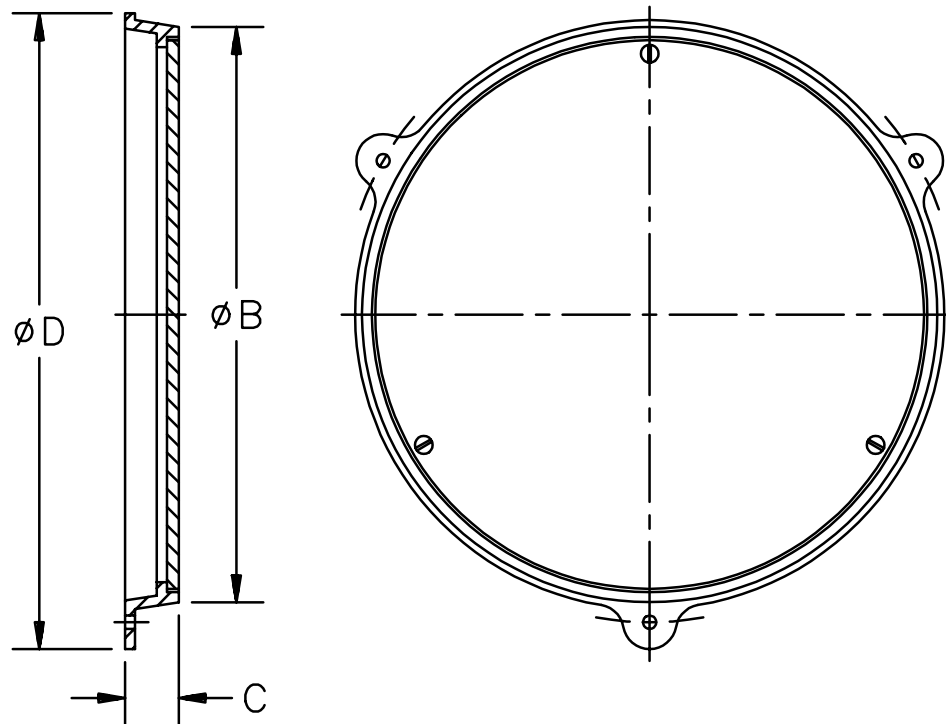


Z-1463

ROUND SCORIATED ACCESS COVER

TAG _____

Dimensional Data (inches and [mm]) are Subject to Manufacturing Tolerances and Change Without Notice



Product Designation	Dimensions In Inches				Approx. Wt. Lbs. [kg]
	Nominal Pipe Size	B	C	D	
-7	2-3-4 [50-75-100]	6 5/8 [168]	3/4 [19]	7 1/2 [190]	6 [3]
-11	5-6-8 [125-150-200]	10 3/4 [273]	1 [25]	11 7/8 [302]	12 [5]

ENGINEERING SPECIFICATION:
ZURN ZANB-1463 Access panel and frame. Round, scoriated, nickel bronze panel secured to frame, set flush to finished wall plane or floor, complete with anchor lugs.

OPTIONS (Check/specify appropriate options)

PREFIXES

- ____ ZAB- Bronze with Polished Scoriated Top
- ____ ZANB- Nickel Bronze with Polished Scoriated Top*

SUFFIXES

- ____ -CM Carpet Marker
- ____ -CH Cleanout Access Housing (-7 only)
- ____ -HC Hinged Cover
- ____ -ST Smooth Top
- ____ -VP Vandal Proof Secured Top
- ____ -X Round Top Recessed for 1/8 [3] Tile

REV. C DATE: 11/12/99 C.N. NO. 83748

DWG. NO. 58778 PRODUCT NO. Z-1463

*REGULARLY FURNISHED UNLESS OTHERWISE SPECIFIED

ZURN INDUSTRIES, INC. ♦ SPECIFICATION DRAINAGE OPERATION ♦ 1801 Pittsburgh Ave. ♦ Erie, PA 16514
Phone: 814/455-0921 ♦ Fax: 814/454-7929 ♦ World Wide Web: www.zurn.com

In Canada: ZURN INDUSTRIES LIMITED ♦ 3544 Nashua Drive ♦ Mississauga, Ontario L4V1L2 ♦ Phone: 905/405-8272 Fax: 905/405-1292