



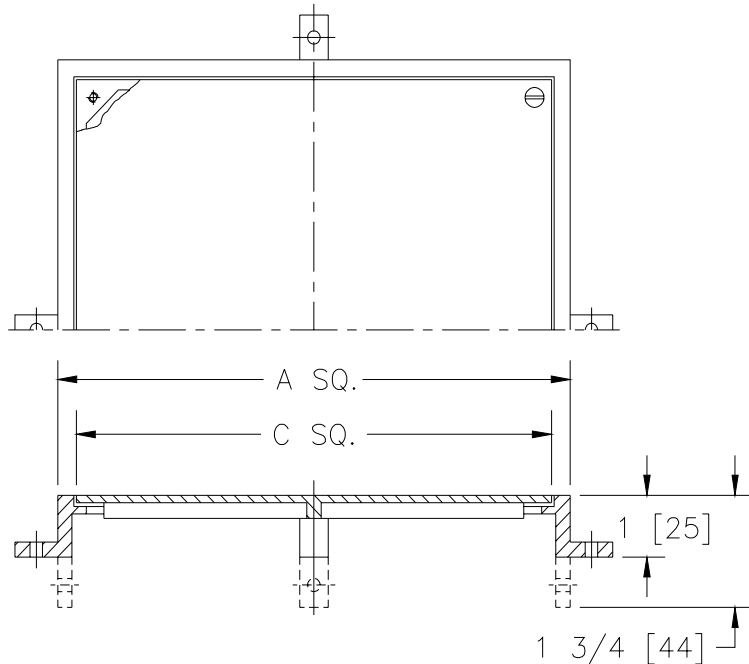
# Z-1460

## SQUARE WALL ACCESS COVER

SPECIFICATION SHEET

TAG \_\_\_\_\_

Dimensional Data (inches and [ mm ]) are Subject to Manufacturing Tolerances and Change Without Notice



Dimensions In Inches		Approx. Wt. Lbs. [kg]
A Frame Size	C Opening size	
7 x 7 [178 x 178]	6 x 6 [152 x 152]	3 [1]
9 x 9 [229 x 229]	8 x 8 [203 x 203]	5 [2]
10 x 10 [254 x 254]	9 x 9 [229 x 229]	7 [3]
11 x 11 [279 x 279]	10 x 10 [254 x 254]	10 [5]

**ENGINEERING SPECIFICATION:** ZURN ZANB-1460 Square wall access panel and frame. Smooth, nickel bronze panel secured to frame, set flush to finished wall plane, complete with securing lugs.

**OPTIONS** (Check/specify appropriate options)

**PREFIXES**

- \_\_\_\_ ZAB- Bronze with Polished Top
- \_\_\_\_ ZANB- Nickel Bronze with Polished Top

**SUFFIXES**

- \_\_\_\_ -AL Straight Anchor Lugs
- \_\_\_\_ -SC Scoriated Cover
- \_\_\_\_ -TX Square Top Recessed for Tile (6 x 6 [152 x 152] and 8 x 8 [203 x 203] only)
- \_\_\_\_ -VP Vandal Proof Secured Top

REV. C	DATE: 3/5/97	C.N. NO. 77585
DWG. NO. 58775	PRODUCT NO. Z-1460	

\*REGULARLY FURNISHED UNLESS OTHERWISE SPECIFIED