

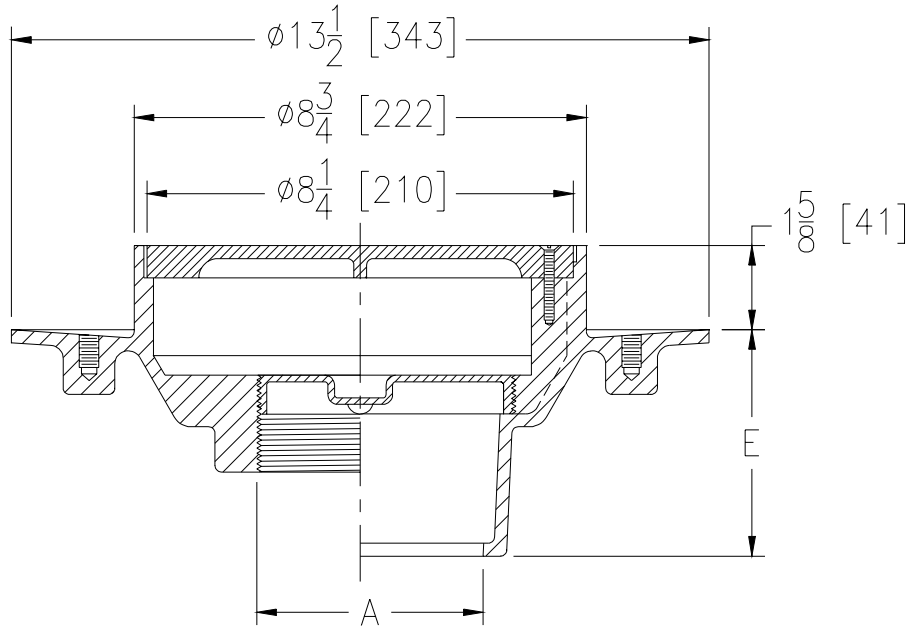


# Z-1455

## FLOOR CLEANOUT WITH FLASHING FLANGE

TAG \_\_\_\_\_

Dimensional Data (inches and [ mm ]) are Subject to Manufacturing Tolerances and Change Without Notice



A Pipe Size Inches	Approx. Wt. Lbs [kg]
2-3 [50-75]	30 [14]
4 [100]	31 [14]

**ENGINEERING SPECIFICATION:** ZURN Z-1455 Floor cleanout, Dura-Coated cast iron body, gas and watertight ABS tapered thread plug, and round scoriated cast iron cover, complete with flashing flange.

**OPTIONS** (Check/specify appropriate options)

**PIPE SIZE**

2, 3, 4 [50, 75, 100]  
 2 [50]  
 3 [75]  
 4 [100]

(Specify size/type) **OUTLET**

\_\_\_\_\_ IC Inside Caulk  
 \_\_\_\_\_ IP Threaded  
 \_\_\_\_\_ IP Threaded  
 \_\_\_\_\_ IP Threaded

**'E' BODY HT. DIM.**

4 3/8 [111]  
 2 1/4 [57]  
 2 1/2 [64]  
 2 3/4 [70]

**PREFIXES**

\_\_\_\_\_ Z- Dura-Coated Cast Iron\*  
 \_\_\_\_\_ ZB- D.C.C.I. with Polished Bronze Scoriated Top (Add 1/8 [3] to 1 5/8 [41] Dim.)  
 \_\_\_\_\_ ZN D.C.C.I. with Polished Nickel Bronze Top (Add 1/8 [3] to 1 5/8 [41] Dim.)

**SUFFIXES**

\_\_\_\_\_ -A Raised Head Cleanout Plug  
 \_\_\_\_\_ -C Clamp Collar  
 \_\_\_\_\_ -DC Duresist Cover  
 \_\_\_\_\_ -G Galvanized Cast Iron  
 \_\_\_\_\_ -TS Top Secured with Slotted Screws  
 \_\_\_\_\_ -VP Vandal Proof Secured Top

REV. D	DATE: 6/4/99	C.N. NO. 82615
DWG. NO. 58772	PRODUCT NO. Z-1455	

\*REGULARLY FURNISHED UNLESS OTHERWISE SPECIFIED