

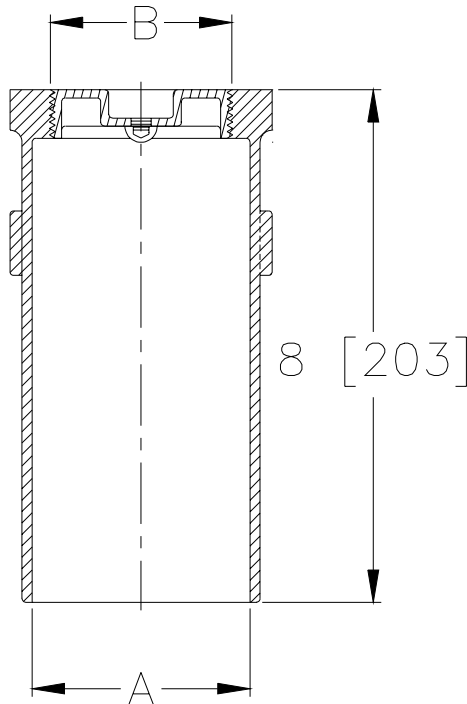


# Z-1449

## CLEANOUT FERRULE WITH PLUG

TAG \_\_\_\_\_

Dimensional Data (inches and [ mm ]) are Subject to Manufacturing Tolerances and Change Without Notice



A-Pipe Size Inches	B	Approx. Wt. Lbs. [kg]
2 [50]	1-1/2" N.P.T.	4 [2]
3 [75]	2" N.P.T.	6 [3]
4 [100]	3-1/2" N.P.T.	8 [4]
5 [125]	3-1/2" N.P.T.	10 [5]
6 [150]	3-1/2" N.P.T.	13 [6]

**ENGINEERING SPECIFICATION:** ZURN Z-1449 Cleanout Ferrule, Dura-Coated cast iron body, with gas and watertight ABS countersunk plug.

**OPTIONS** (Check/specify appropriate options)

**PIPE SIZE** (Specify size/type) **OUTLET**

2 thru 6, [50 thru 150] \_\_\_\_\_ -SP Spigot

**PREFIXES**

\_\_\_\_\_ Z- D.C.C.I. Body with ABS Plug\*

**SUFFIXES**

- \_\_\_\_\_ -A Raised Head Plug
- \_\_\_\_\_ -BP Bronze Plug
- \_\_\_\_\_ -G Galvanized Cast Iron

REV. C	DATE: 5/17/99	C.N. NO. 82532
DWG. NO. 58770	PRODUCT NO. Z-1449	

\*REGULARLY FURNISHED UNLESS OTHERWISE SPECIFIED