



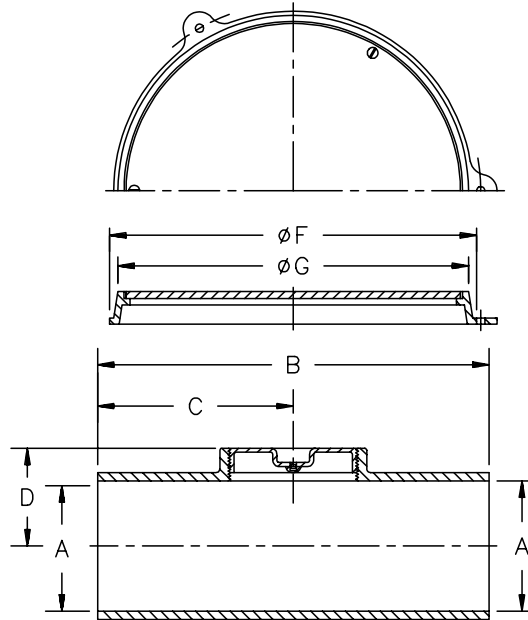
Z-1448

CLEANOUT TEE WITH ROUND FLOOR ACCESS COVER

SPECIFICATION SHEET

TAG _____

Dimensional Data (inches and [mm]) are Subject to Manufacturing Tolerances and Change Without Notice



Dimensions In Inches									Approx. Wt. Lbs. [kg]
A- Pipe Size	F	G	NH			HB X SP			
			B	C	D	B	C	D	
2 [50]	7 1/2 [190]	6 5/8 [168]	6 3/8 [162]	3 3/16 [81]	1 3/4 [44]	10 [254]	4 1/2 [114]	2 3/4 [70]	14 [6]
3 [75]			7 3/4 [197]	3 7/8 [98]	2 1/2 [64]	12 [305]	5 3/4 [146]	3 [76]	21 [10]
4 [100]			8 7/8 [225]	4 7/16 [113]	3 [76]	12 [305]	5 3/4 [146]	3 1/2 [89]	22 [10]
5 [125]	11 7/8 [301]	10 3/4 [273]	—	—	—	13 [330]	6 1/4 [159]	4 [102]	34 [15]
6 [150]			12 1/2 [318]	6 1/4 [159]	4 5/16 [110]	14 [356]	6 3/4 [171]	4 1/2 [114]	47 [15]
8 [200]			—	—	—	17 [432]	8 1/4 [210]	5 1/2 [140]	61 [28]

ENGINEERING SPECIFICATION: ZURN ZN-1448 Cleanout Tee. Dura-Coated cast iron, gas and watertight ABS tapered thread plug, and round, scoriated secured nickel bronze floor access cover and frame.

OPTIONS (Check/specify appropriate options)

PIPE SIZE

(Specify size/type) **OUTLET**

2 thru 4, 6 [50 thru 150, 150]
2 thru 6, 8 [50 thru 150, 200]

_____ NH No-Hub
_____ HB X SP Hub x Spigot

PREFIXES

_____ ZB- D.C.C.I. with Polished Bronze Scoriated Top
_____ ZN D.C.C.I. with Polished Nickel Bronze Scoriated Top*

SUFFIXES

_____ -A	Raised Head Plug	_____ -ST	Smooth Top
_____ -BP	Bronze Plug	_____ -VP	Vandal Proof Secured Top
_____ -CM	Carpet Marker	_____ -X	Round Top Recessed for 1/8 [3] Tile
_____ -CH	Cleanout Access Housing (2, 3 & 4 [50, 75, 100] Sizes only)		
_____ -G	Galvanized Cast Iron		
_____ -HC	Hinged Cover		

*REGULARLY FURNISHED UNLESS OTHERWISE SPECIFIED

REV. C	DATE: 11/12/99	C.N. NO. 83750
DWG. NO. 58769		PRODUCT NO. Z-1448

ZURN INDUSTRIES, INC. ♦ SPECIFICATION DRAINAGE OPERATION ♦ 1801 Pittsburgh Ave. ♦ Erie, PA 16514

Phone: 814455-0921 ♦ Fax: 814454-7929 ♦ World Wide Web: www.zurn.com

In Canada: ZURN INDUSTRIES LIMITED ♦ 3544 Nashua Drive ♦ Mississauga, Ontario L4V1L2 ♦ Phone: 905405-8272 Fax: 905405-1292