

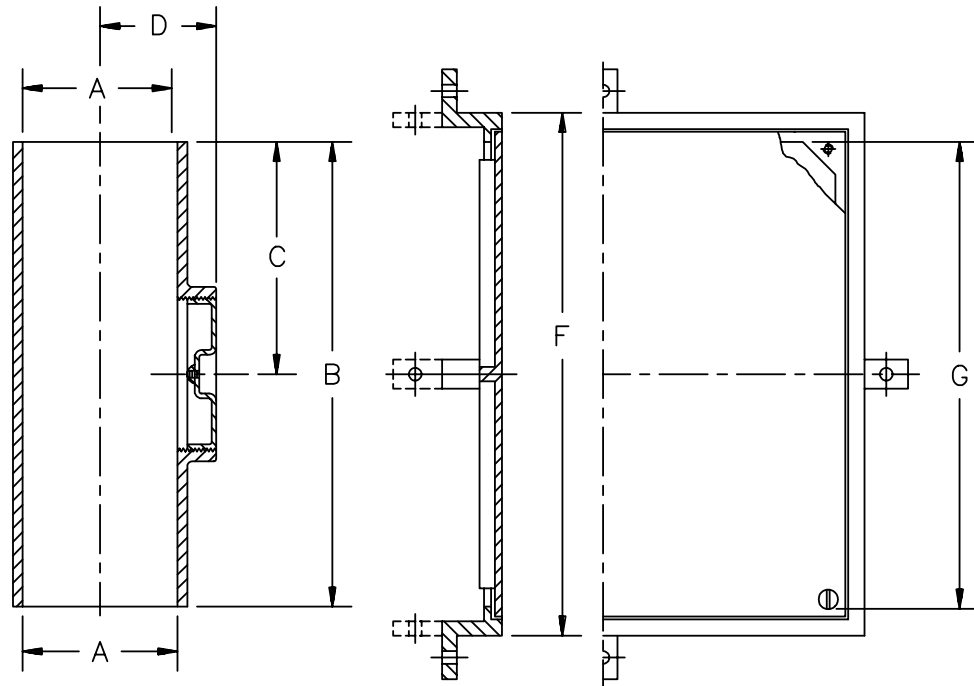


Z-1447

CLEANOUT TEE WITH SQUARE WALL ACCESS COVER

TAG _____

Dimensional Data (inches and [mm]) are Subject to Manufacturing Tolerances and Change Without Notice



Dimensions In Inches									Approx. Wt. Lbs. [kg]
A- Pipe Size	F Square	G Square	NH			HB X SP			
			B	C	D	B	C	D	
2 [50]	7 [178]	6 [152]	6 3/8 [162]	3 3/16 [81]	1 3/4 [44]	10 [254]	4 1/2 [114]	2 3/4 [70]	11 [5]
3 [75]			7 3/4 [197]	3 7/8 [98]	2 1/2 [64]	12 [305]	5 3/4 [146]	3 [76]	18 [8]
4 [100]	9 [229]	8 [203]	8 7/8 [225]	4 7/16 [113]	3 [76]	12 [305]	5 3/4 [146]	3 1/2 [89]	20 [9]
5 [125]			—	—	—	13 [330]	6 1/4 [159]	4 [102]	21 [10]
6 [150]			12 1/2 [318]	6 1/4 [159]	4 5/16 [110]	14 [356]	6 3/4 [171]	4 1/2 [114]	31 [14]

ENGINEERING SPECIFICATION: ZURN ZN-1447 Cleanout Tee. Dura-Coated cast iron, with gas and watertight ABS tapered thread plug, and square, smooth nickel bronze wall access cover and frame.

OPTIONS (Check/specify appropriate options)

PIPE SIZE

2 thru 4, 6 [50 thru 100, 150]
2 thru 6, 8 [50 thru 150, 200]

(Specify size/type) **OUTLET**

— NH No-Hub
— HB X SP Hub x Spigot

PREFIXES

— ZB- D.C.C.I. with Polished Bronze Cover
— ZN- D.C.C.I. with Polished Nickel Bronze Cover*

SUFFIXES

— -A Raised Head Plug
— -BP Bronze Plug
— -G Galvanized Cast Iron
— -SC Scoriated Cover
— -VP Vandal Proof Secured Top

REV. B	DATE: 3/5/97	C.N. NO. 77578
DWG. NO. 58768	PRODUCT NO. Z-1447	

*REGULARLY FURNISHED UNLESS OTHERWISE SPECIFIED