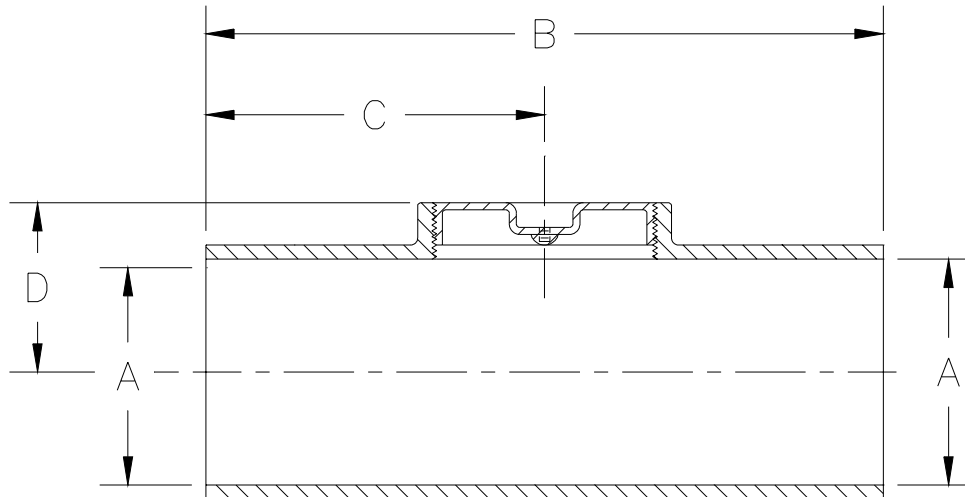




Z-1445 CLEANOUT TEE

TAG _____

Dimensional Data (inches and [mm]) are Subject to Manufacturing Tolerances and Change Without Notice



A- Pipe Size	Dimensions In Inches						Approx. Wt. Lbs. [kg]
	NH			HB X SP			
	B	C	D	B	C	D	
2 [50]	6 3/8 [162]	3 3/16 [81]	1 3/4 [44]	10 [254]	4 1/2 [114]	2 3/4 [70]	8 [4]
3 [75]	7 3/4 [197]	3 7/8 [98]	2 1/2 [64]	12 [305]	5 3/4 [146]	3 [76]	15 [7]
4 [100]	8 7/8 [225]	4 7/16 [113]	3 [76]	12 [305]	5 3/4 [146]	3 1/2 [89]	16 [7]
5 [125]	—	—	—	13 [330]	6 1/4 [159]	4 [102]	22 [10]
6 [150]	12 1/2 [318]	6 1/4 [159]	4 5/16 [110]	14 [356]	6 3/4 [171]	4 1/2 [114]	35 [16]
8 [200]	—	—	—	17 [432]	8 1/4 [210]	5 1/2 [140]	49 [22]

ENGINEERING SPECIFICATION: ZURN Z-1445 Cleanout Tee. Dura-Coated cast iron body, with gas and watertight ABS tapered thread plug

OPTIONS (Check/specify appropriate options)

PIPE SIZE

2 thru 4, 6 [50 thru 100, 150]
2 thru 6, 8 [50 thru 150, 200]

(Specify size/type) **OUTLET**

— NH No-Hub
— HB X SP Hub x Spigot

PREFIXES

— Z- D.C.C.I. Body with N.P.T. Plug*

SUFFIXES

— -A Raised Head Plug
— -BP Bronze Plug
— -G Galvanized Cast Iron

REV. B	DATE: 3/5/97	C.N. NO. 77576
DWG. NO. 58766		PRODUCT NO. Z-1445

*REGULARLY FURNISHED UNLESS OTHERWISE SPECIFIED