

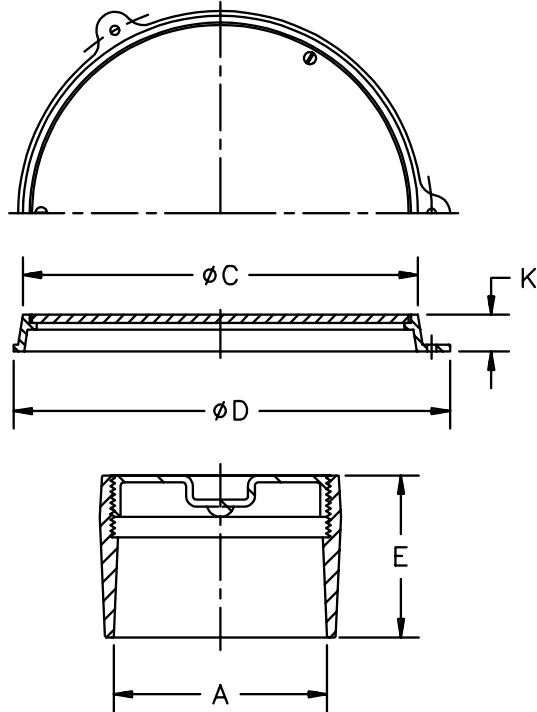


Z-1444

FLOOR CLEANOUT WITH ROUND ACCESS COVER

TAG _____

Dimensional Data (inches and [mm]) are Subject to Manufacturing Tolerances and Change Without Notice



Dimensions In Inches					Approx. Wt. Lbs. [kg]
A-Pipe Size	C	D	E	K	
2 [50]	6 5/8 [168]	7 1/2 [190]	2 1/2 [64]	3/4 [19]	5 [2]
3 [75]			2 3/4 [70]		7 [3]
4 [100]			3 [76]		10 [5]
5 [125]	10 3/4 [273]	11 7/8 [302]	3 [76]	1 [25]	12 [5]
6 [150]			3 [76]		13 [6]
8 [200]			3 1/2 [89]		20 [9]

ENGINEERING SPECIFICATION: ZURN ZN-1444
 Floor Cleanout with Dura Coated cast iron body, gas and watertight ABS tapered thread plug, and polished scoriated secured nickel bronze access cover and frame.

OPTIONS (Check/specify appropriate options)

PIPE SIZE (Specify size/type) **OUTLET**

2 thru 6, 8 [50 thru 150, 200] _____ NH No-Hub

PREFIXES

- _____ ZB- D.C.C.I. with Polished Bronze Scoriated Top
- _____ ZN D.C.C.I. with Polished Nickel Bronze Scoriated Top*

SUFFIXES

- _____ -A Raised Head Plug
- _____ -BP Bronze Plug
- _____ -CM Carpet Marker
- _____ -CH Cleanout Access Housing (2, 3 & 4 [50, 75, 100] Sizes only)
- _____ -G Galvanized Cast Iron
- _____ -HC Hinged Cover
- _____ -ST Smooth Top
- _____ -VP Vandal Proof Secured Top
- _____ -X Round Top Recessed for 1/8 [3] Tile

*REGULARLY FURNISHED UNLESS OTHERWISE SPECIFIED

REV. C	DATE: 11/12/99	C.N. NO. 83749
DWG. NO. 58765	PRODUCT NO. Z-1444	