

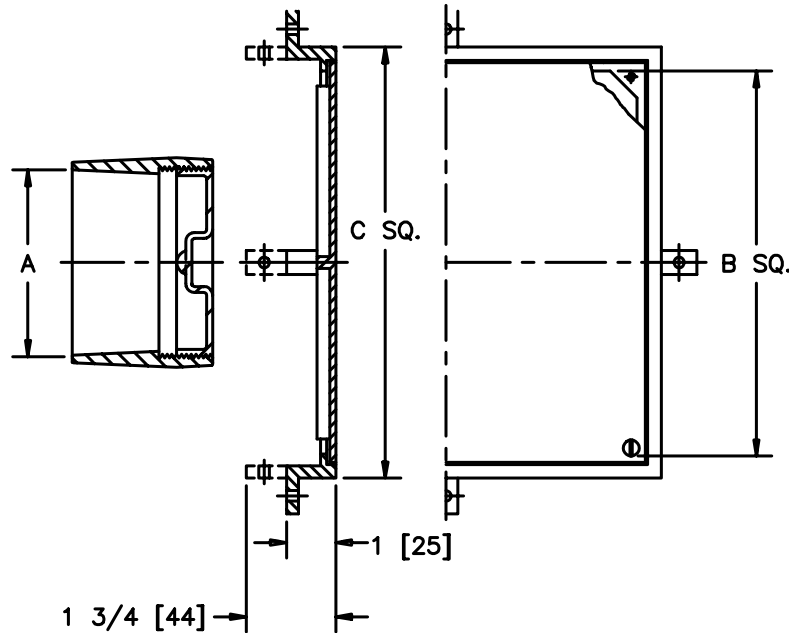


Z-1443

WALL CLEANOUT WITH SQUARE ACCESS COVER AND FRAME

TAG _____

Dimensional Data (inches and [mm]) are Subject to Manufacturing Tolerances and Change Without Notice



Dimensions In Inches			Approx. Wt. Lbs. [kg]
A-Pipe Size	B	C	
2 [50]	6 [152]	7 [178]	5 [2]
3 [75]	6 [152]	7 [178]	7 [3]
4 [100]	8 [203]	9 [229]	10 [5]
5 [125]	8 [203]	9 [229]	12 [5]
6 [150]	9 [229]	10 [254]	15 [7]
8 [200]	10 [254]	11 [279]	23 [10]

ENGINEERING SPECIFICATION: ZURN ZN-1443 Wall Cleanout, Dura Coated cast iron body, gas and watertight ABS tapered thread plug, and nickel bronze square, smooth wall access cover and frame.

OPTIONS (Check/specify appropriate options)

PIPE SIZE _____ (Specify size/type) **OUTLET**
 3 thru 6, 8 [75 thru 150, 200] _____ NH No-Hub

PREFIXES

- _____ ZB- D.C.C.I. with Polished Bronze Top
- _____ ZN D.C.C.I. with Polished Nickel Bronze Top*

SUFFIXES

- _____ -A Raised Head Plug
- _____ -BP Bronze Plug
- _____ -G Galvanized Cast Iron
- _____ -SC Scoriated Cover
- _____ -VP Vandal Proof Secured Top

REV. B	DATE: 3/5/97	C.N. NO. 77574
DWG. NO. 58764	PRODUCT NO. Z-1443	

*REGULARLY FURNISHED UNLESS OTHERWISE SPECIFIED