

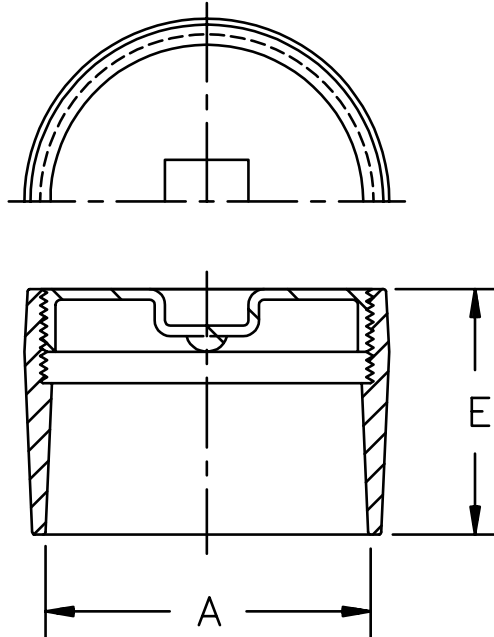


Z-1440

FLOOR CLEANOUT WITH COUNTERSUNK PLUG

TAG _____

Dimensional Data (inches and [mm]) are Subject to Manufacturing Tolerances and Change Without Notice



| Dimensions In Inches | | Approx. Wt. Lbs. [kg] |
|----------------------|-------------|-----------------------------|
| A-Pipe Size | E | |
| 2 [50] | 2 1/2 [64] | 2 [1] |
| 3 [75] | 2 3/4 [70] | 4 [2] |
| 4 [100] | 3 [76] | 5 [2] |
| 5 [125] | 3 [76] | 7 [3] |
| 6 [150] | 3 [76] | 8 [4] |
| 8 [200] | 3 1/2 [89] | 13 [6] |
| 10 [250] | 3 1/2 [89] | 20 [9] |
| 12 [300] | 4 1/4 [108] | 28 [13] |

ENGINEERING SPECIFICATION: ZURN Z-1440 Cleanout with Dura-Coated cast iron body, with gas and watertight ABS tapered thread plug.

OPTIONS (Check/specify appropriate options)

PIPE SIZE

2 thru 6, 8, 10, 12
[50 thru 150, 200, 250, 300]

(Specify size/type) **OUTLET**

_____ NH No-Hub

'E' BODY HT. DIM.

See Chart

PREFIXES

_____ Z- D.C.C.I. Body and ABS Plug*

SUFFIXES

- _____ -A Raised Head Plug
- _____ -BP Bronze Plug
- _____ -G Galvanized Cast Iron

| | | |
|----------------|--------------|--------------------|
| REV. C | DATE: 3/5/97 | C.N. NO. 77572 |
| DWG. NO. 58762 | | PRODUCT NO. Z-1440 |

*REGULARLY FURNISHED UNLESS OTHERWISE SPECIFIED