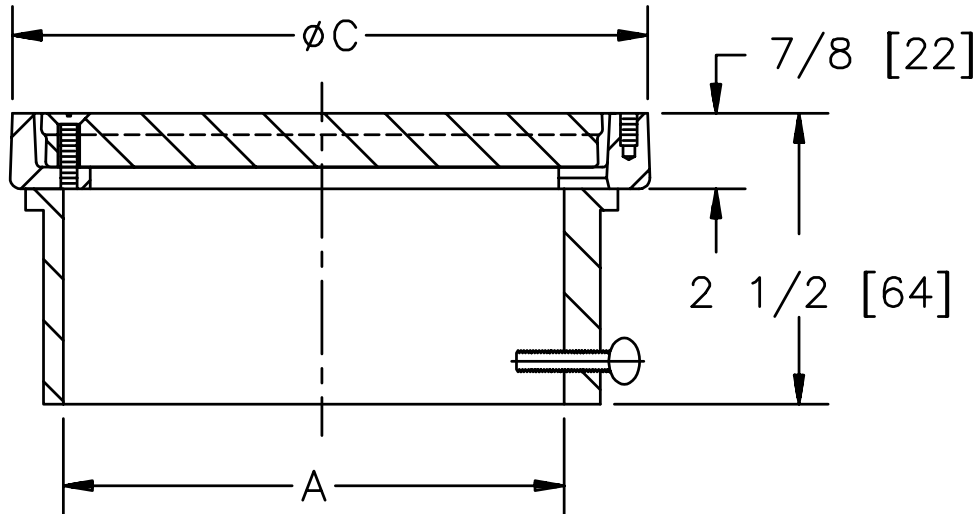




Z-1404 FLOOR ACCESS HOUSING

Dimensional Data (inches and [mm]) are Subject to Manufacturing Tolerances and Change Without Notice



Dimensions In Inches		Approx. Wt. Lbs. [kg]
A-Pipe Size	C	
2 [50]	5 1/8 [130]	3 [1]
3[75]	6 1/8 [156]	4 [2]
4[100]	7 1/4 [184]	5 [2]
5[125]	8 1/4 [210]	7 [3]
6[150]	9 1/4 [235]	8 [4]

ENGINEERING SPECIFICATION: ZURN Z-1404 Floor access housing, ABS Body with round scoriated Dura-Coated cast iron top, complete with adjusting set screws.

OPTIONS (Check/specify appropriate options)

ACCESS HOUSING (Specify type)

___ 2 thru 6 [50 thru 150]

PREFIXES

- ___ Z- ABS Body D.C.C.I. Top*
- ___ ZB- ABS Body with Polished Bronze Top
- ___ ZN ABS Body withh Polished Nickel Bronze Top

SUFFIXES

- ___ -HD Heavy Duty Top (Add 3/16 [5] to 2 1/2 [64] Dim. ZB or ZN only)
- ___ -T Square Scoriated Top
- ___ -VP Vandal Proof Secured Top

REV. B	DATE: 3/5/97	C.N. NO. 77570
DWG. NO. 58760		PRODUCT NO. Z-1404

*REGULARLY FURNISHED UNLESS OTHERWISE SPECIFIED