

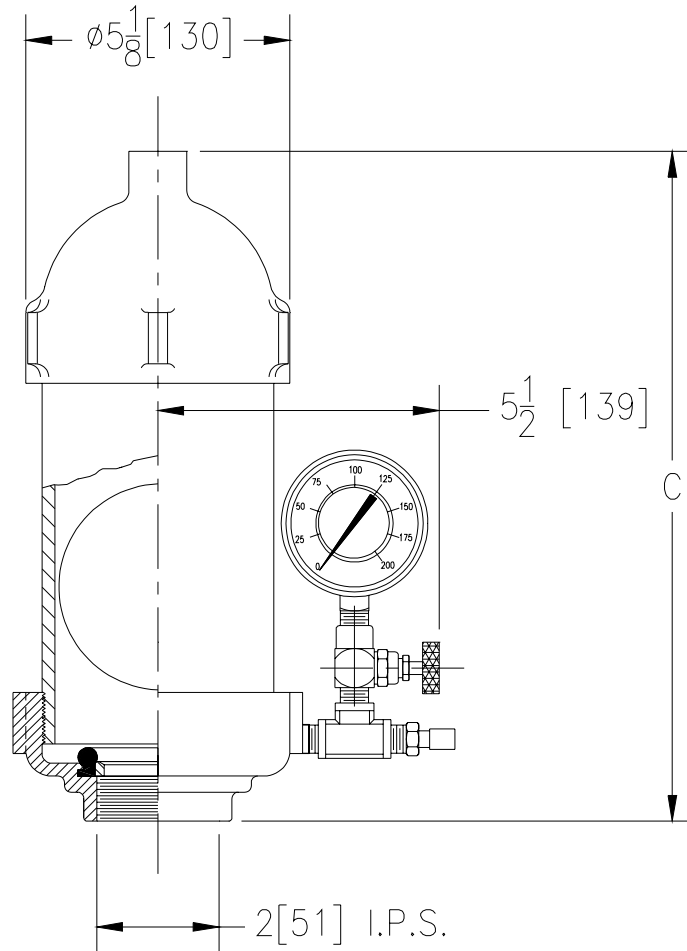


# Z-1712 ACCUMUTROL

SPECIFICATION SHEET

TAG \_\_\_\_\_

Dimensional Data (inches and [ mm ]) are Subject to Manufacturing Tolerances and Change Without Notice



Size	C Inches	Approx. Wt. Lbs. [kg]
2000	13 [330]	20 [9]
4000	21 [533]	28 [13]
6000	29 [737]	36 [16]
8000	37 [940]	44 [20]
10000	45 [1143]	52 [24]
12000	53 [1346]	60 [27]
14000	61 [1549]	68 [31]
16000	69 [1753]	76 [34]

**ENGINEERING SPECIFICATION:** ZURN Z-1712 Shock associated with solenoid or other quick-closing valves serving heavy equipment such as laundry machines, dishwashers, etc. shall be controlled by installation of ZURN Z-1712 ACCUMUTROL, complete with floating stainless steel spherical piston, surge chamber, valve and gauge assembly. Specify size and location.

Note: Maximum Temperature: 500°F [260°C].  
Maximum Pressure: 200PSI [1379 kPa] Residual.

### PREFIXES

- **Z-** Bronze surge chamber, Viton valve seat and stainless steel spherical piston.\*
- **ZS-** All Type 304 Stainless steel surge chamber, stainless steel spherical piston, Viton valve seat, and bronze gauge assembly.

\*REGULARLY FURNISHED UNLESS OTHERWISE SPECIFIED

REV.	DATE: 6/14/95	C.N. NO. 72078
DWG. NO. 59411	PRODUCT NO. Z-1712	