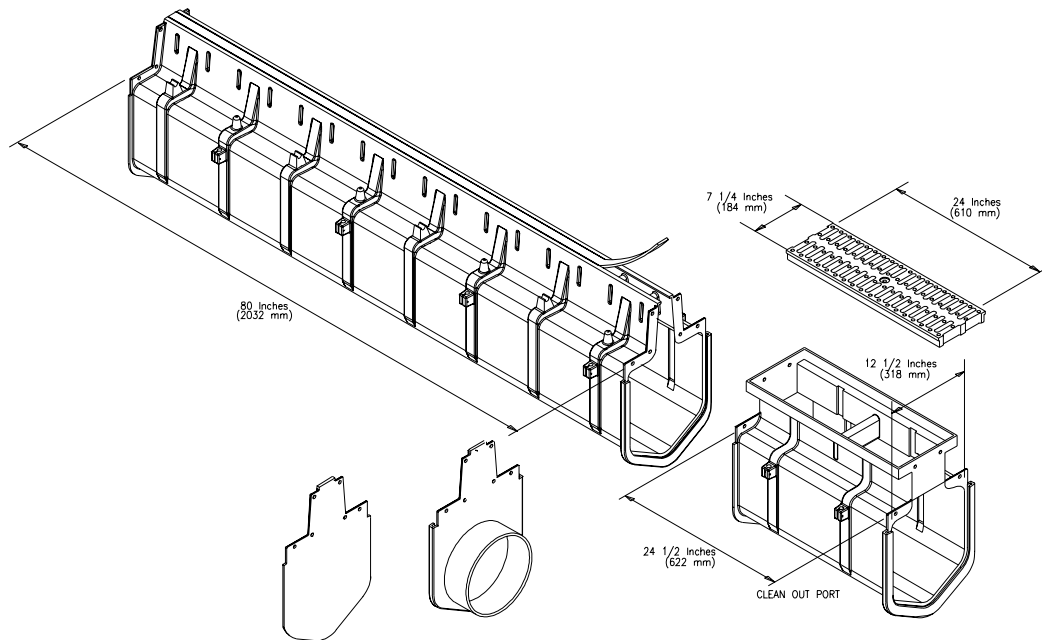




Z-888 HIGH CAPACITY TRENCH DRAIN SYSTEM



ENGINEERING SPECIFICATION

Zurn Z-888- 13" wide 2" slotted High Capacity trench drain system. Linear low density polyethylene modular drain channel with smooth non-stick, non-corrosive interior and 0% water absorption. 80" modular sections with integral frame, mechanically interlocking joints and smooth radiused interior. Integral tie-down/leveling devices at 20" intervals and load distribution rebar stances for application of continuous lengths of rebar for structural integrity.

CP SUFFIX OPTION ENGINEERING SPECIFICATION

Zurn Z-888-CP 8" wide linear low density polyethylene cleanout port. 24" long modular cleanout port with integral top frame, mechanically interlocking joints, integral rebar clips and smooth radiused interior. Furnished with 8" special duty, Dura-Coated ductile iron grate, with vandal-resistant lockdown, unless otherwise specified.

PREFIX OPTIONS

Z*- 80" linear low density polyethylene modular drain channel with intergral top frame.

SUFFIX OPTIONS

- ___ **-CP** Cleanout Port with Ductile Iron Grate
- ___ **-E1** Closed End Cap
- ___ **-E8** 8" No Hub End Cap
- ___ **-E12** 12" No Hub End Cap
- ___ **-HD** Extra Heavy Duty Frame Assembly with Anchor Studs
- ___ **-HDG** Galvanized Extra Heavy Duty Frame Assembly with Anchor Studs
- ___ **-HDP** Extra-Heavy Duty Frame Assembly with Achor Studsfor Cleanout Port

*Regularly Furnished Unless Otherwise Specified

REV. DATE: 6/22/00 C.N. NO. 85125

DWG. NO. 64051 PRODUCT NO. Z-888