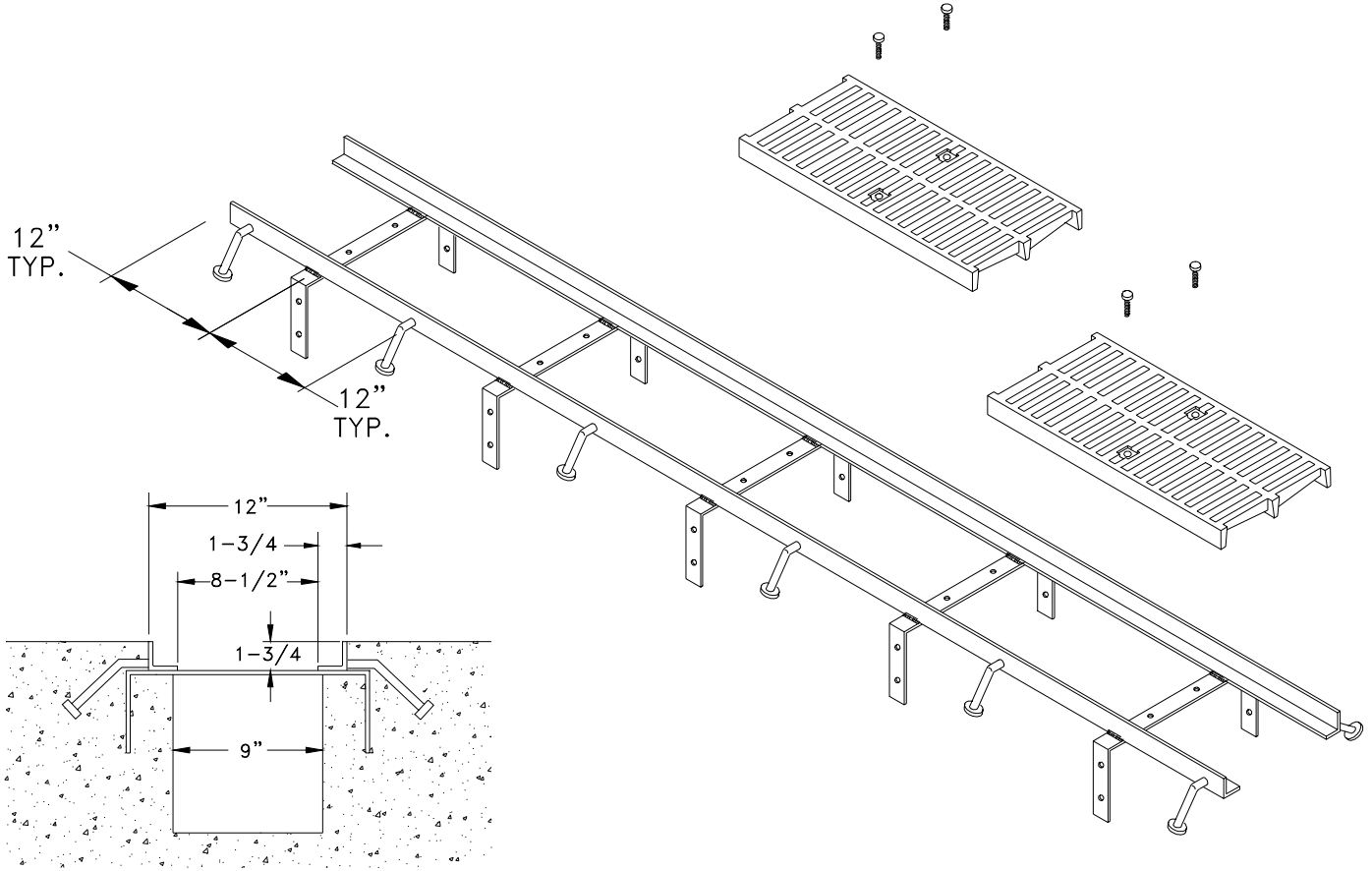




Z-712 FRAME AND GRATE

TAG _____

Dimensions Subject to Manufacturing Tolerances



ENGINEERING SPECIFICATION: Zurn Extra Heavy Duty 1/4 x 1-3/4 x 1-3/4 - 10-foot long Frame with 1/4" x 3" long studs and combination anchor tabs/leveling devices at appropriate locations for embedding into surrounding concrete.

OPTIONS (Check/specify appropriate options)

PREFIXES

- _____ **Z-** Dura - Coated Carbon Steel Frame
- _____ **ZG-** Galvanized Carbon Steel Frame
- _____ **ZS-** Type 304 Stainless Steel Frame

SUFFIXES

- _____ **-CG** Cast Iron Grate
- _____ **-DG** Ductile Iron Grate
- _____ **-SBG** Stainless Steel Bar Grate
- _____ **-BG** Galvanized Bar Grate
- _____ **-PS** Perforated Stainless Steel Grate
- _____ **-PG** Perforated Galvanized Steel Grate
- _____ **-FS** Stainless Steel Slotted Grate
- _____ **-FG** Galvanized Steel Slotted Grate
- _____ **-GG** Fiberglass Grate
- _____ **-GL** Grate Lockdown Assembly

- _____ **-RPS** Reinforced Perforated Stainless Steel Grate
- _____ **-RPG** Reinforced Perforated Galvanized Steel Grate
- _____ **-RFS** Reinforced Stainless Steel Slotted Grate
- _____ **-RFG** Reinforced Galvanized Steel Slotted Grate
- _____ **-CC** Cast Iron Solid Cover
- _____ **-DC** Ductile Iron Solid Cover
- _____ **-HPC** Heel Proof Cast Iron Grate
- _____ **-HPD** Heel Proof Ductile Iron Grate
- _____ **-VP** Vandal-Proof Grate Lockdown Assembly

REV. _____	DATE: 12/23/99	C.N. NO. 83299
DWG. NO. 64018	PRODUCT NO. Z-712	