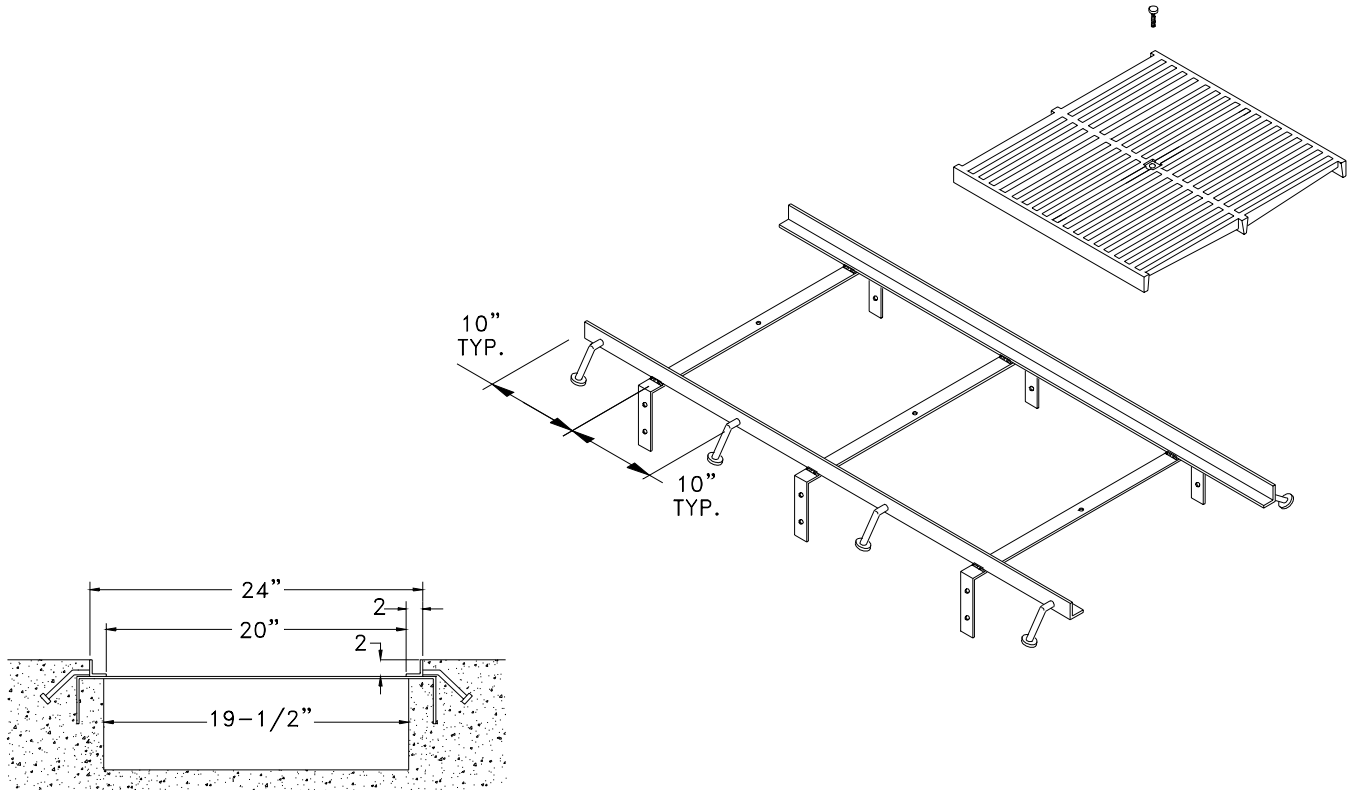




Z-724 FRAME AND GRATE

TAG _____

Dimensions Subject to Manufacturing Tolerances



ENGINEERING SPECIFICATION: Zurn Extra Heavy Duty 1/4 x 2 x 2 - 5-foot long Frame with 1/4" x 3" long studs and combination anchor tabs/leveling devices at appropriate locations for embedding into surrounding concrete.

OPTIONS (Check/specify appropriate options)

PREFIXES

- _____ **Z-** Dura - Coated Carbon Steel
- _____ **ZG-** Galvanized Carbon Steel
- _____ **ZS-** Type 304 Stainless Steel

SUFFIXES

- | | |
|---|--|
| _____ -CG Cast Iron Grate | _____ -RPS Reinforced Stainless Steel Perforated Grate |
| _____ -DG Ductile Iron Grate | _____ -RPG Reinforced Galvanized Steel Perforated Grate |
| _____ -SBG Stainless Steel Bar Grate | _____ -RFS Reinforced Stainless Steel Slotted Grate |
| _____ -BG Galvanized Bar Grate | _____ -RFG Reinforced Galvanized Steel Slotted Grate |
| _____ -CC Cast Iron Solid Cover | _____ -VP Vandal-Proof Grate Lockdown Assembly |
| _____ -DC Ductile Iron Solid Cover | |
| _____ -GG Fiberglass Grate | |
| _____ -GL Grate Lockdown Assembly | |

REV. _____	DATE: 12/23/99	C.N. NO. 83298
DWG. NO. 64017	PRODUCT NO. Z-724	