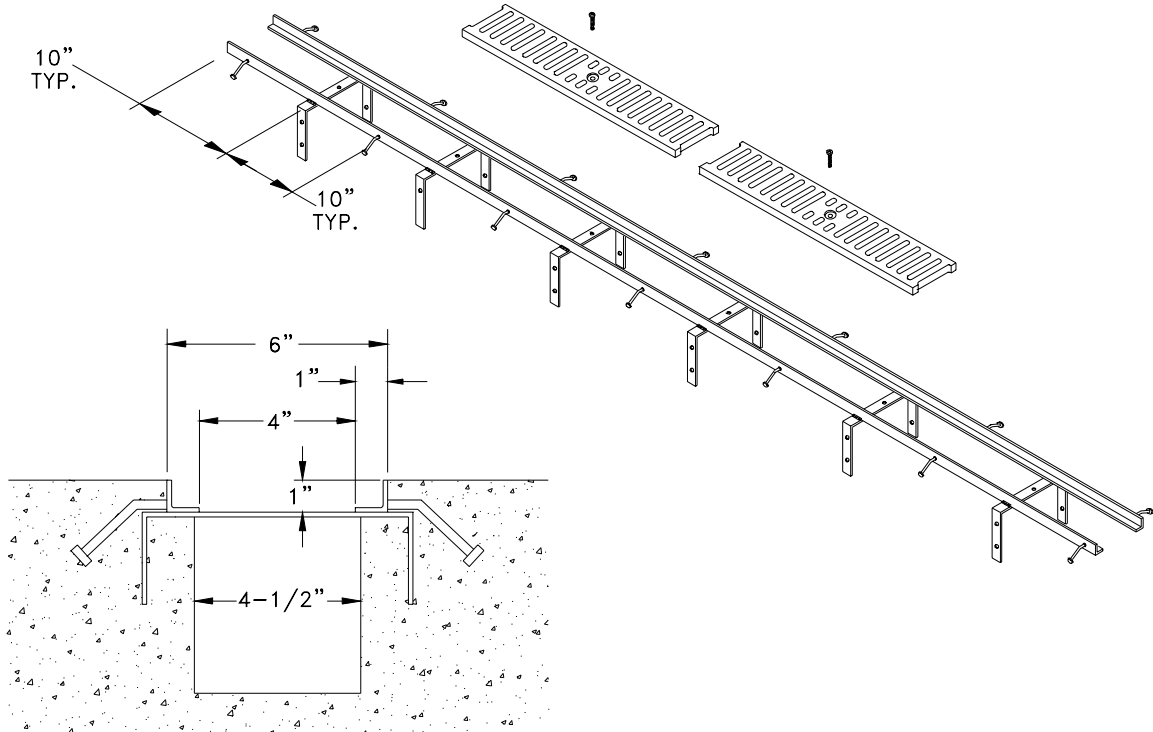




Z-706 FRAME AND GRATE

TAG _____

Dimensions Subject to Manufacturing Tolerances



ENGINEERING SPECIFICATION: Zurn Extra Heavy Duty 1/4 x 1 x 1 - 10-foot long Frame with 1/4" x 3" long studs and combination anchor tabs/leveling devices at appropriate locations for embedding into surrounding concrete.

OPTIONS (Check/specify appropriate options)

PREFIXES

- _____ **Z-** Dura - Coated Carbon Steel Frame
- _____ **ZG-** Galvanized Carbon Steel Frame
- _____ **ZS-** Type 304 Stainless Steel Frame

SUFFIXES

- | | |
|--|--|
| _____ -DG Ductile Iron Grate | _____ -RFS Reinforced Stainless Steel Slotted Grate |
| _____ -BG Cast Galvanized Bar Grate | _____ -RPS Reinforced Perforated Stainless Steel Grate |
| _____ -CG Cast Iron Grate | _____ -RPG Reinforced Galvanized Steel Slotted Grate |
| _____ -PS Perforated Stainless Steel Grate | _____ -CC Cast Iron Solid Cover |
| _____ -GL Grate Lockdown Assembly | _____ -RFG Reinforced Perforated Galvanized Steel Grate |
| _____ -SBG Cast Stainless Steel Bar Grate | _____ -DC Ductile Iron Solid Cover |
| _____ -PG Perforated Galvanized Steel Grate | _____ -HPP Heel Proof Polyethylene Grate |
| _____ -FS Stainless Steel Slotted Grate | _____ -VP Vandal-Proof Grate Lockdown Assembly |
| _____ -FG Galvanized Steel Slotted | |
| _____ -GG Fiberglass Grate | |

REV. _____	DATE: <u>12/23/99</u>	C.N. NO. <u>83296</u>
DWG. NO. <u>64016</u>	PRODUCT NO. <u>Z-706</u>	