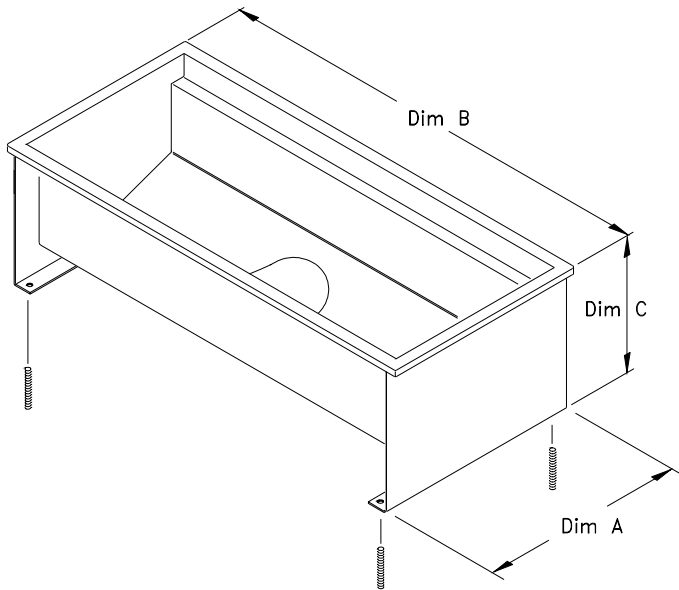
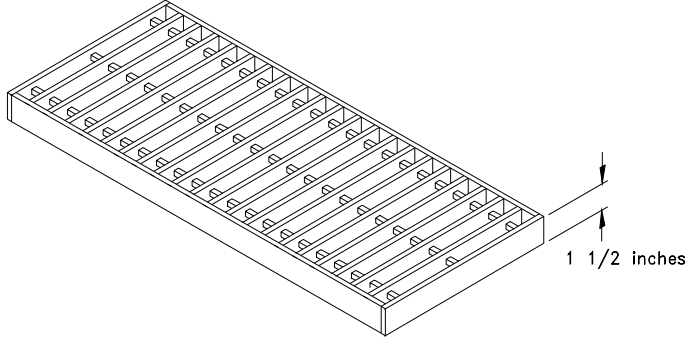




# Z-893 Stainless Steel Floor Receptors

TAG \_\_\_\_\_

Dimensions Subject to Manufacturing Tolerances



Nominal Size	Dim A	Dim B	Dim C
12 x 12	14.3"	15"	3" thru 12"
12 x 24	14.3"	27"	3" thru 12"
12 x 32	14.3"	35"	3" thru 12"
12 x 36	14.3"	39"	3" thru 12"

Standard size units are shown above. Special sizes are available upon request.

**ENGINEERING SPECIFICATION: Zurn Z-893 12" Wide Floor Water Receptors.** #12 Gage Type 304 Stainless Steel body sloped toward center for proper drainage. Grating available as stamped stainless steel or stainless steel bar grating. Complete with anchor tabs, leveling studs and specified no hub bottom outlet.

OPTIONS (Check/specify appropriate options)

- \_\_\_\_\_ -DB Drop in Bucket
- \_\_\_\_\_ -GG Galvanized Cast Iron Grate
- \_\_\_\_\_ -GL Grate Lockdown Assembly
- \_\_\_\_\_ -RFS Reinforced Stainless Steel Slotted Grate
- \_\_\_\_\_ -RPS Reinforced Stainless Steel Perforated Grate
- \_\_\_\_\_ -SBG Cast Bar Grate

REV. <u>B</u>	DATE: <u>01-03-00</u>	C.N. NO. <u>83303</u>
DWG. NO. <u>58540</u>	PRODUCT NO. <u>Z-893</u>	